



SAB-0210C/I-650

650TVL Colour Mini-Box Camera



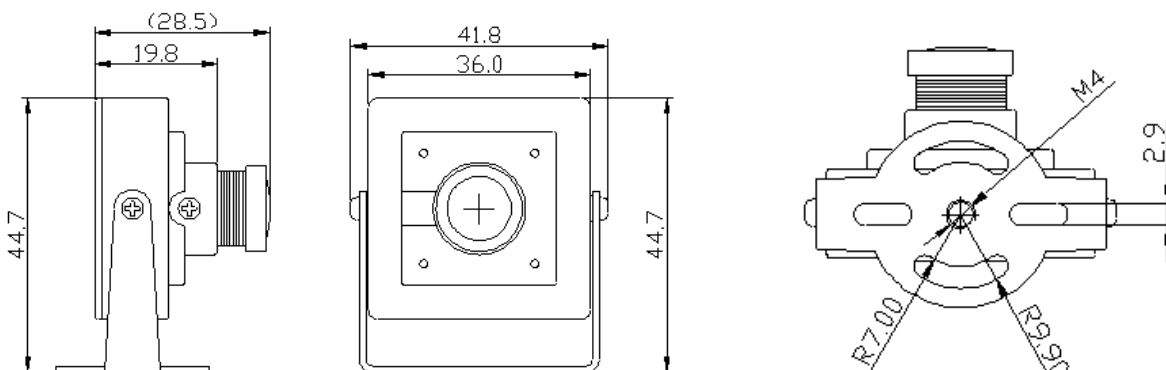
Key Features

- 650TVL resolution CMOS Sensor
- 2.1mm lens
- Colour only
- Reverse image cut-loop
- E-11
- Stripped Wire Connections
- Black Metal Casing

Ordering Information

SAB-0210C/I-650 Colour Micro-Box 650TVL 2.1mm Black Stripped Wire/RT

Dimensions



Specifications

SAB-0210C/I

VIDEO	
Imaging Device	1/3" Colour CMOS Sensor PC3089
Total Pixels	756 (H) x 504 (V)
Resolution	650TVL PAL
Min. Illumination	Colour: 0.05 Lux @ F1.2
Video Output	1 V pk-pk 75Ω
Synchronisation	Internal
Gamma Ratio	0.45
S/N Ratio	>50db (AGC off)
Auto Gain Control	Auto
White Balance	Auto
Electronic Shutter	Auto
Back Light Compensation	Auto
LENS	
Focal Length	2.1mm
Field of View (H x V)	2.1mm: 100 ° ~78.9°
Lens / Mount Type	Fixed Iris / Board-in type / M12XP0.5mm Thread
ENVIRONMENTAL	
Operating Temp/ Hum	-10°C ~ +50°C /10-85% RH
ELECTRICAL	
Power	12V DC, ±10%, 35mA
Power Connector Type	Stripped Wire
MECHANICAL	
Pan & Tilt Adjustment	270° (V) / 360° (H)
Colour / Material	Black, Metal
Dimensions (W x H)	20.5 x 44.7 x 41.8 mm
Weight	120g
CERTIFICATION	
	CE/UKCA IP67/VCA E9/E11

Customers who bought our Analogue Micro-Box Cameras also viewed:



Stortech IP Box mini:

- SNB-20210C/I



Stortech 7" On-board Monitors:

- SMF-0730/A
- SMF-0730/HT
- SMF-0730/WH



Stortech Miniature Cameras:

- DCC1-AHD-RT
- MPC-AHD
- MCC-1

Stortech Electronics Ltd

Unit 2, Spire Green Centre, Pinnacles,
Harlow, Essex
CM19 5TQ

+44 (0) 1279 451100

www.stortech.co.uk

sales@stortech.co.uk



Stortech Electronics Ltd



Stortech Electronics Ltd