

RV09-AHD-2.5-RT

1.3MP Rear Vehicle AHD IR Camera



Key Features

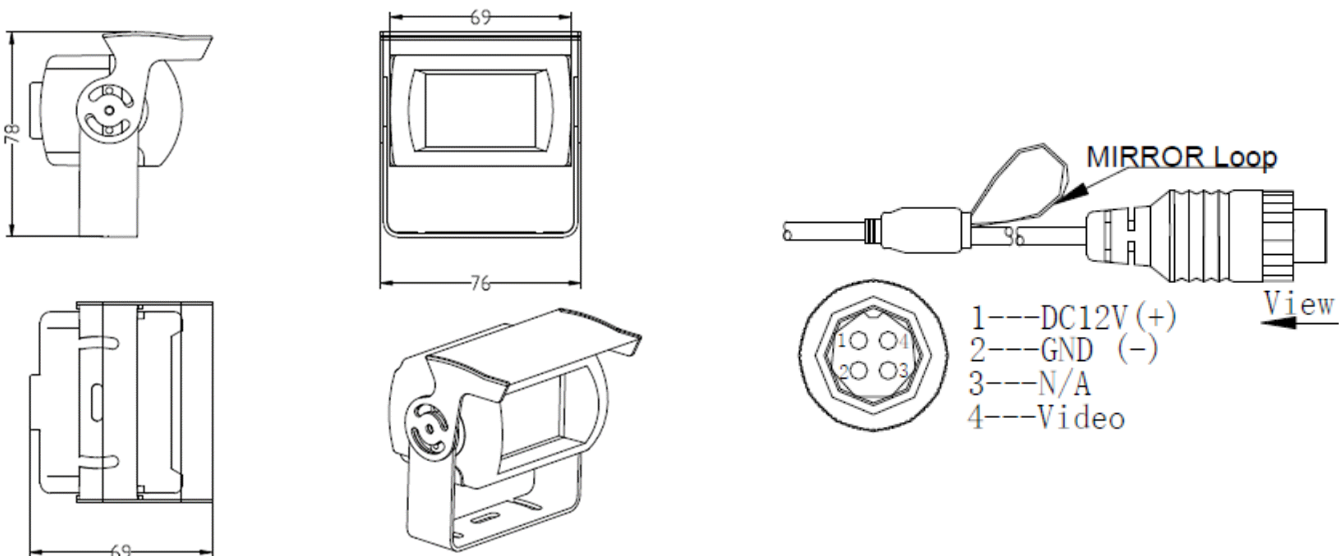
- 1.3MP (1080P) resolution CMOS Sensor
- 2.5mm or 3.6mm lens options
- True Day/Night with IR Cut Filter
- 18 x 850nm Smart LEDs
- Wide Dynamic Range
- Weatherproof & Impact Resistant IP67/ IK10
- Mirror Image Cut Loop
- 4 PIN DIN Aviation Connector

Ordering Information

RV09-AHD-2.5-RT 1.3MP 2.5mm True Day/Night IR - 4 Pin Aviation Plug

RV09-AHD-3.6-RT 1.3MP 3.6mm True Day/Night IR - 4 Pin Aviation Plug

Dimensions



Specifications

RV09-AHD-XX-RT

VIDEO	
Imaging Device	1/3" Colour CMOS Sensor AR0130
Total Pixels	1280 (H) x 960 (V)
Resolution	1.3MP
Min. Illumination	Colour: 0.01Lux @ F1.2/ 0.0Lux Monochrome
IR Illumination	18 x 850nm – 8m Smart IRs
Video Output	1 V pk-pk 75Ω
Wide Dynamic Range	85db
S/N Ratio	>50db (AGC off)
LENS	
Focal Length	2.5mm and 3.6mm options
Field of View (H x V)	133 ° ~ 70° and 88 ° ~ 47° options
Lens / Mount Type	Fixed Iris / Mega pixel Board-in type
ENVIRONMENTAL	
Operating Temp/ Hum	-10°C ~ +50°C /10-85% RH
Ingress Protection / Vandal Resistance	IP67 / IK10
ELECTRICAL	
Power	12V DC, 200mA
Video / Power Connector Type	4 PIN Aviation Din Jack
MECHANICAL	
Pan & Tilt Adjustment	0° - 90 °
Colour / Material	Black, Metal
Dimensions (L x W x H)	91 x 47 x 57.5mm
Weight	280g
CERTIFICATION	
	CE/UKCA IP67

Customers who bought our Analogue Rear Vehicle Cameras also viewed:



Stortech IP Rear Facing:

- SNB-2025C
- SNB-20360C



Stortech 7" On-board Monitors:

- SMF-0730/A
- SMF-0730/HT
- SMF-0730/WH



Stortech Miniature Cameras:

- D056XXXX Range
- D057XXXX Range
- D057WDR Range

Stortech Electronics Ltd

Unit 2, Spire Green Centre, Pinnacles,
Harlow, Essex
CM19 5TQ

+44 (0) 1279 451100

www.stortech.co.uk sales@stortech.co.uk



Stortech Electronics Ltd



Stortech Electronics Ltd