

# Vehicle Mounted Camera

MPW-AHD-RT Range

**stortech** | Components and  
CCTV Specialist

## MPW-AHD-RT Range

1.3MP Side Vehicle Mounted Camera



### Key Features

- 1.3MP (960P) resolution CMOS Sensor
- 3.6mm Mega Pixel lens
- 12 x Smart LEDs 8m Illumination
- True Day/Night IR Cut filter
- Weatherproof and Impact Resistant IP67/IK10
- Left and Right Vehicle mounting Options
- 4 PIN DIN Aviation Connector
- Mirror Image Cut Loop

### Ordering Information

MPW-AHD-R-RT 1.3MP 3.6mm T D/N - 4 Pin Plug Right Side Mounting

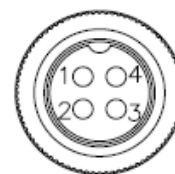
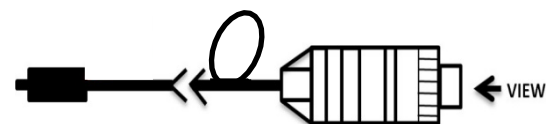
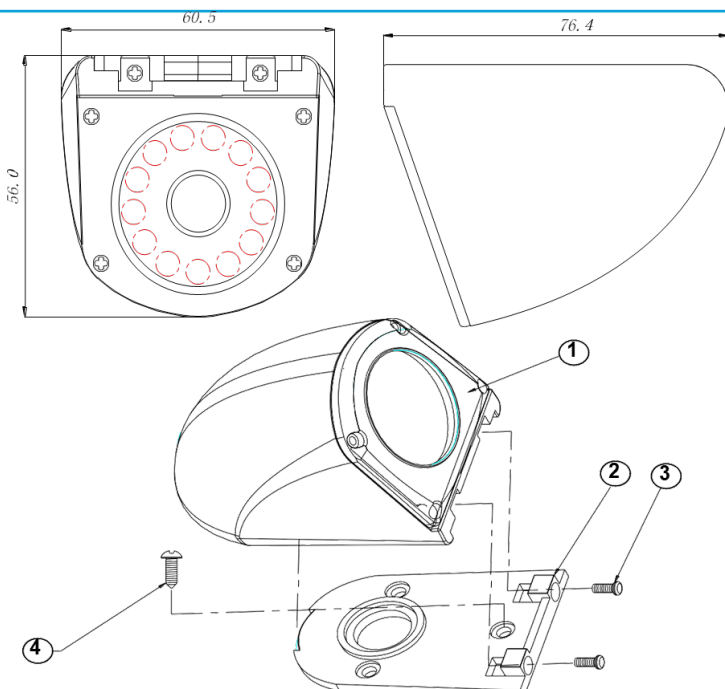
MPW-AHD-L-RT 1.3MP 3.6mm T D/N - 4 Pin Plug Left Side Mounting

CA5-AHD-4PIN 4PIN Aviation AHD 5-meter extension Lead

CA10-AHD-4PIN 4PIN Aviation AHD 10-meter extension Lead

CA15-AHD-4PIN 4PIN Aviation AHD 15-meter extension Lead

### Dimensions



- 1---12VDC (+)
- 2---12VDC/GND (-)
- 3---N/A
- 4---Video

## Specifications

### MPW-AHD-RT

VIDEO	
Imaging Device	1/3" AHD CMOS Sensor AR0130
Total Pixels	1280 (H) x 960 (V)
Resolution	1.3MP
Min. Illumination	Colour: 23Lux / Monochrome 0.0Lux
Infrared LEDs	12 x Smart 850nm LEDs – 8m Illumination
Video Output	1 V pk-pk 75Ω
Wide Dynamic Range	85db
S/N Ratio	>50db (AGC off)
Mirror Image	Reverse image (Cut Loop)
LENS	
Focal Length	3.6mm
Field of View (H x V)	88 ° ~ 47°
Lens / Mount Type	Fixed Iris / Mega pixel Board-in type
ENVIRONMENTAL	
Operating Temp/ Hum	-10°C ~ +50°C /10-85% RH
Ingress Protection / Vandal Resistance	IP67 / IK10
ELECTRICAL	
Power	12V DC, 170mA
Video / Power Connector Type	4 PIN Aviation Din Jack comes with 500mm lead
MECHANICAL	
Pan & Tilt Adjustment	0° - 22 °
Colour / Material	Black, Metal
Dimensions (L x W x H)	76 x 60.5 x 56mm
Weight	203g
CERTIFICATION	
	CE/UKCA IP67

Customers who bought our Analogue Vehicle Mounted Cameras also viewed:



#### Stortech IP Ruggedised Oval:

- SNO-20210T
- SNO-20280T
- SNO-20360T



#### Stortech 7" On-board Monitors:

- SMF-0730/A
- SMF-0730/HT
- SMF-0730/WH



#### Stortech Miniature Cameras:

- D056XXXX Range
- D057XXXX Range
- D057WDR Range

#### **Stortech Electronics Ltd**

Unit 2, Spire Green Centre, Pinnacles,  
Harlow, Essex  
CM19 5TQ

**+44 (0) 1279 451100**

**www.stortech.co.uk**    **sales@stortech.co.uk**



Stortech Electronics Ltd



Stortech Electronics Ltd