

Side Mounted Vehicle Camera

MPE-AHD-RT Range

stortech Components and CCTV Specialist

MPE-AHD-RT Range

1.3MP Side Mounted Vehicle Camera



Key Features

- 1.3MP (960P) resolution CMOS Sensor
- 2.1mm lens Wide angle lens 120° (H) x 90° (V)
- 12 x Smart LEDs 8m Illumination
- True Day/Night IR Cut filter
- Weatherproof and Impact Resistant IP67/IK10
- 4 PIN DIN Aviation Connector

Ordering Information

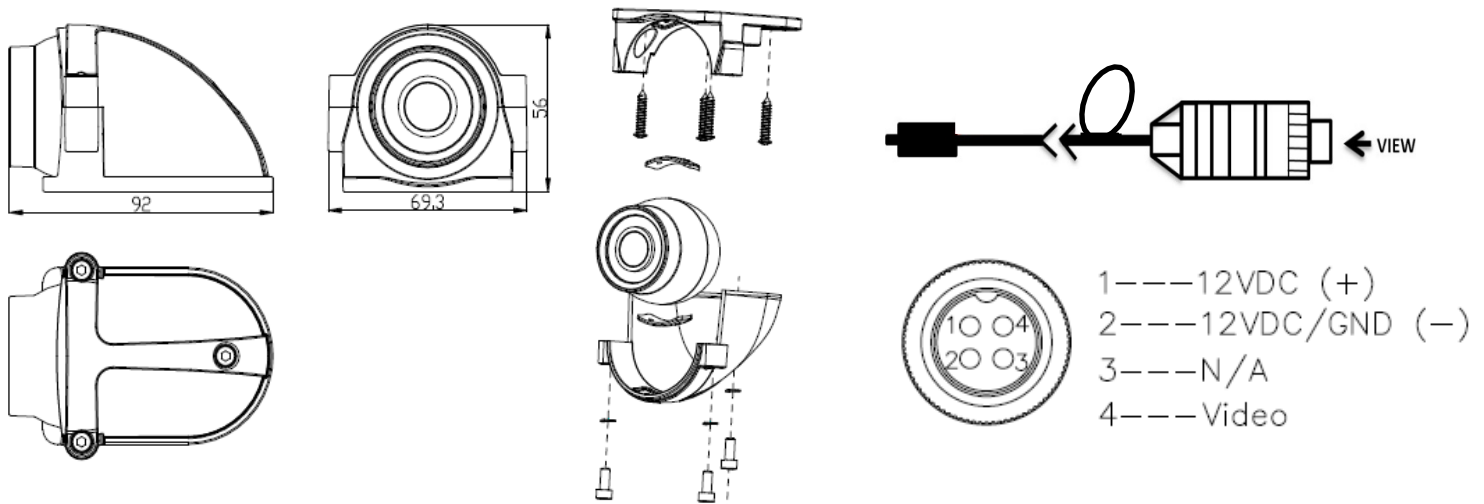
MPE-AHD-RT 1.3MP 2.1mm T D/N - 4 Pin Aviation Plug

CA5-AHD-4PIN 4PIN Aviation AHD 5-meter extension Lead

CA10-AHD-4PIN 4PIN Aviation AHD 10-meter extension Lead

CA15-AHD-4PIN 4PIN Aviation AHD 15-meter extension Lead

Dimensions



Specifications

MPE-AHD-RT

VIDEO	
Imaging Device	1/3" AHD CMOS Sensor
Total Pixels	1280 (H) x 960 (V)
Resolution	1.3MP
Min. Illumination	Colour: 0.01Lux @ F1.2 / Monochrome 0.0Lux
Infrared LEDs	12 x 850nm – 8m Illumination
Video Output	1 V pk-pk 75Ω
S/N Ratio	>48db (AGC off)
Mirror Image	Reverse image (Cut white cable)
LENS	
Focal Length	2.1mm
Field of View (H x V)	120 ° ~ 90°
Lens / Mount Type	Fixed Iris / Mega pixel Board-in type
ENVIRONMENTAL	
Operating Temp/ Hum	-10°C ~ +50°C / 10-85% RH
Ingress Protection / Vandal Resistance	IP67 / IK10
ELECTRICAL	
Power	12V DC, 140mA
Video / Power Connector Type	4 PIN Aviation Din Jack comes with 500mm lead
MECHANICAL	
Pan & Tilt Adjustment	-52° - + 50 °
Colour / Material	Black, Metal
Dimensions (L x W x H)	76 x 60.5 x 56mm
Weight	238g
CERTIFICATION	
	CE/UKCA IP67

Customers who bought our Analogue Side Mounted Cameras also viewed:



Stortech IP Ruggedised Oval:

- SNO-20211T
- SNO-20281T
- SNO-20361T



Stortech 7" On-board Monitors:

- SMF-0730/A
- SMF-0730/HT
- SMF-0730/WH



Stortech Miniature Cameras:

- D056XXXX Range
- D057XXXX Range
- D057WDR Range

Stortech Electronics Ltd

Unit 2, Spire Green Centre, Pinnacles,
Harlow, Essex
CM19 5TQ

+44 (0) 1279 451100

www.stortech.co.uk **sales@stortech.co.uk**



Stortech Electronics Ltd



Stortech Electronics Ltd