

Multi-Positional Camera

MPC-AHD Range

stortech | Components and
CCTV Specialist

MPC-AHD Range

1.0MP Multi-Positional Camera



Key Features

- 1.0MP (720P) resolution CMOS Sensor
- 2.3mm lens
- Weatherproof to IP67
- Mirror Image Cut Loop
- 4 PIN DIN Aviation Connector

Ordering Information

MPC-AHD 1.0MP 2.3mm Colour - 4 Pin Aviation Plug

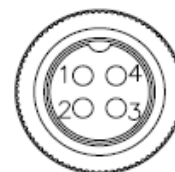
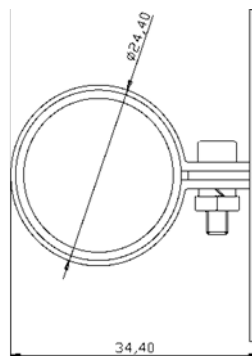
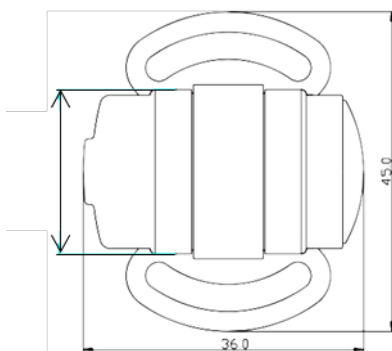
MPC-AHD-RT 1.0MP 2.3mm Colour - 4 Pin Aviation Plug Reverse Image

CA5-AHD-4PIN 4PIN Aviation AHD 5-meter extension Lead

CA10-AHD-4PIN 4PIN Aviation AHD 10-meter extension Lead

CA15-AHD-4PIN 4PIN Aviation AHD 15-meter extension Lead

Dimensions



- 1---12VDC (+)
- 2---12VDC/GND (-)
- 3---N/A
- 4---Video

Specifications

MPC-AHD

VIDEO	
Imaging Device	1/3" Colour CMOS Sensor AR0141
Total Pixels	1280 (H) x 720 (V)
Resolution	1.0MP
Min. Illumination	Colour: 0.05Lux @ F1.2
Electronic Shutter	Auto / 1/50 (1/60) – 1/100,000 sec
Video Output	1 V pk-pk 75Ω
Reverse Image	MPC-AHD-RT only
S/N Ratio	>45db (AGC off)
LENS	
Focal Length	2.5mm and 3.6mm options
Field of View (H x V)	133 ° ~ 70° and 88 ° ~ 47° options
Lens / Mount Type	Fixed Iris / Mega pixel Board-in type
ENVIRONMENTAL	
Operating Temp/ Hum	-10°C ~ +50°C /10-85% RH
Ingress Protection / Vandal Resistance	IP67
ELECTRICAL	
Power	12V DC, 70mA
Video / Power Connector Type	4 PIN Aviation Din Jack comes with 500mm lead
MECHANICAL	
Pan & Tilt Adjustment	-52° - + 50 °
Colour / Material	Black, Metal
Dimensions (L x W x H)	24.4 x 36mm
Weight	96g
CERTIFICATION	
	CE/UKCA IP67

Customers who bought our Analogue Multi-Positional Cameras also viewed:



Stortech IP Rear Facing:

- SNB-2025C
- SNB-20360C



Stortech 7" On-board Monitors:

- SMF-0730/A
- SMF-0730/HT
- SMF-0730/WH



Stortech Miniature Cameras:

- D056XXXX Range
- D057XXXX Range
- D057WDR Range

Stortech Electronics Ltd

Unit 2, Spire Green Centre, Pinnacles,
Harlow, Essex
CM19 5TQ

+44 (0) 1279 451100

www.stortech.co.uk sales@stortech.co.uk



Stortech Electronics Ltd



Stortech Electronics Ltd