

MCC-1

560TVL Colour Micro-Cube Camera



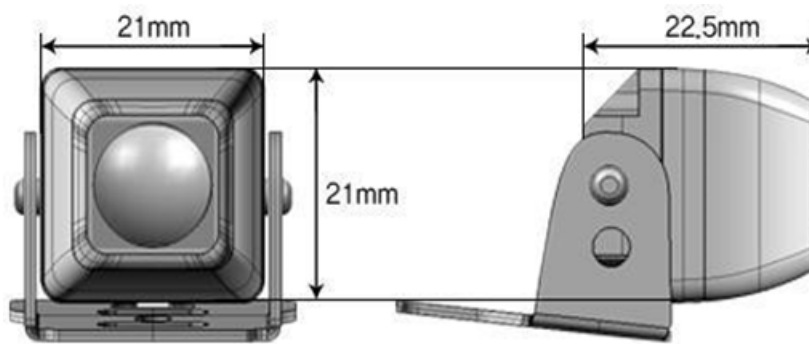
Key Features

- 560TVL resolution CMOS Sensor
- 2.5mm lens
- Colour
- Impact Resistant IK10
- BNC Connector
- Compact 21 x 21 x 22.5mm

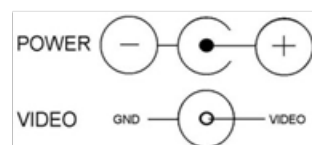
Ordering Information

MCC-1 560TVL 2.5mm Colour BNC Connector

Dimensions



Power via a DC jack Video via a Female BNC



Specifications

MCC-1

VIDEO	
Imaging Device	1/3" CMOS Sensor
Total Pixels	762 (H) x 504 (V)
Resolution	560TVL
Min. Illumination	Colour: 0.3Lux
Video Output	1 V pk-pk 75Ω
S/N Ratio	>48db (AGC off)
Mirror Image	Reverse image (Cut Loop)
LENS	
Focal Length	3.6mm
Field of View (H x V)	88 ° ~ 47°
Lens / Mount Type	Fixed Iris / Mega pixel Board-in type
ENVIRONMENTAL	
Operating Temp/ Hum	-20°C ~ +70°C /10-85% RH
Ingress Protection / Vandal Resistance	IK10
ELECTRICAL	
Power	12V DC, 40mA
Video / Power Connector Type	BNC Connector / Phone Jack
MECHANICAL	
Pan & Tilt Adjustment	±69 °
Colour / Material	Black, Metal
Dimensions (L x W x H)	21 x 21 x 22.5mm
Weight	40g
CERTIFICATION	
	CE/UKCA IP67

Customers who bought our Analogue Micro-Dome Cameras also viewed:



Stortech IP Ruggedised Oval:

- SNV-20210T/FS
- SNV-20360T/FS



Stortech 7" On-board Monitors:

- SMF-0730/A
- SMF-0730/HT
- SMF-0730/WH



Stortech Miniature Cameras:

- RV09-AHD-2.5-RT
- RV09-AHD-3.6-RT

Stortech Electronics Ltd

Unit 2, Spire Green Centre, Pinnacles,
Harlow, Essex
CM19 5TQ

+44 (0) 1279 451100

www.stortech.co.uk sales@stortech.co.uk



Stortech Electronics Ltd



Stortech Electronics Ltd