

Dual Cube Camera

DCC1-AHD-RT

stortech | Components and
CCTV Specialist

DCC1-AHD-RT

1.3MP Dual Cube AHD IR Camera



Key Features

- 1.3MP (1080P) resolution CMOS Sensor
- 2 x 3.6mm lens options
- True Day/Night and Colour only
- 12 x Smart LEDs rear facing camera
- Weatherproof & Impact Resistant IP67/ IK10
- Unique Dual Camera Configuration with Microphone
- E-11 R118 certified
- Plug and Play Connections

Ordering Information

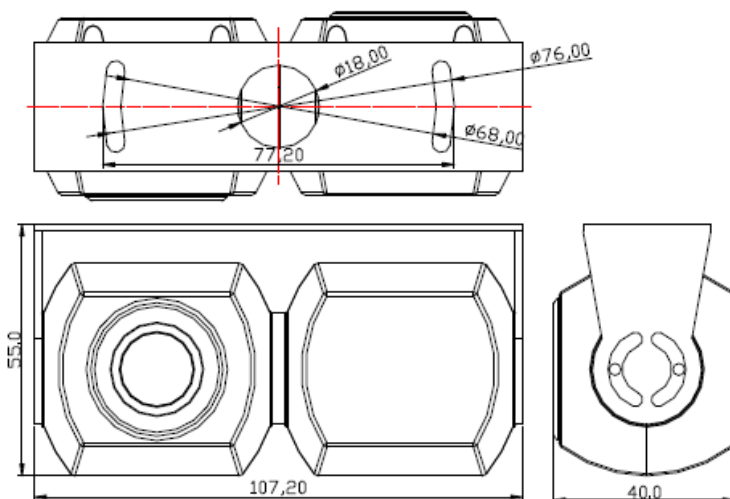
DCC1-AHD-RT Dual 1.3MP 3.6mm IR & Colour only/ 4 Pin Aviation Plug

CA5-AHD-4PIN 4PIN Aviation AHD 5-meter extension lead

CA10-AHD-4PIN 4PIN Aviation AHD 10-meter extension lead

CA15-AHD-4PIN 4PIN Aviation AHD 15-meter extension lead

Dimensions



Specifications

DCC1-AHD-RT

| VIDEO | REAR FACING | FRONT FACING |
|--|---|-------------------------|
| Imaging Device | 1/3" Colour CMOS Sensor AR0130 | |
| Total Pixels | 1280 (H) x 960 (V) | |
| Resolution | 1.3MP | |
| Min. Illumination | Colour: 0.01Lux @ F1.2/ 0.0Lux Monochrome | Colour: 0.01 Lux @ F1.2 |
| IR Illumination | 12 x 850nm – 8m Smart IRs | N/A |
| Video Output | 1 V pk-pk 75Ω | |
| S/N Ratio | >50db (AGC off) | |
| LENS | | |
| Focal Length | 3.6mm | |
| Field of View (H x V) | 3.6mm: 72 ° ~ 53° | |
| Lens / Mount Type | Fixed Iris / Board-in type | |
| ENVIRONMENTAL | | |
| Operating Temp/ Hum | -10°C ~ +50°C /10-85% RH | |
| Ingress Protection / Vandal Resistance | IP67 / IK10 | |
| ELECTRICAL | | |
| Power | 12V DC, 120mA | 12V DC, 80mA |
| Video / Power Connector Type | 2 x 4 PIN Aviation Din Jack | |
| MECHANICAL | | |
| Pan & Tilt Adjustment | ± 69 ° | |
| Colour / Material | Black, Metal | |
| Dimensions (L x W x H) | 107.2 x 40 x 55 mm | |
| Weight | 260g | |
| CERTIFICATION | | |
| | CE/UKCA IP67/ | |

Customers who bought our Analogue Dual-Cube Cameras also viewed:



Stortech IP Ruggedised Box:

- SNB-20210T
- SNB-20280T
- SNB-20360T



Stortech 7" On-board Monitors:

- SMF-0730/A
- SMF-0730/HT
- SMF-0730/WH



Stortech Miniature Cameras:

- MCC-1
- DCC1-AHD-RT
- MPC-AHD

Stortech Electronics Ltd

Unit 2, Spire Green Centre, Pinnacles,
Harlow, Essex
CM19 5TQ

+44 (0) 1279 451100

www.stortech.co.uk

sales@stortech.co.uk



Stortech Electronics Ltd



Stortech Electronics Ltd