



D057 WDR RANGE

2MP Vandal Resistant Mini-Dome



Key Features

- 2MP resolution CMOS Sensor
- 2.5mm, 2.9mm & 3.6mm lens options
- 10 x Smart LEDs 850nm 8-10m Illumination
- True Day/Night with IRC Option
- Wide Dynamic Range
- Weatherproof & Impact Resistant IP67/ IK10
- E-11 R118 certified
- Toggle (OSD) Option

Ordering Information

D057WDR36.01 Micro-dome 2MP 3.6mm Silver/ BNC

D057WDR29.01 Micro-dome 2MP 3.6mm Silver/ BNC

D057WDR25.01 Micro-dome 2MP 2.5mm Silver/ BNC

D057WDR36TO.01 Micro-dome OSD 2MP 3.6mm Silver/ BNC

D057WDR29TO.01 Micro-dome OSD 2MP 3.6mm Silver/ BNC

D057WDR25TO.01 Micro-dome OSD 2MP 2.5mm Silver/ BNC

D057WDR36IR.01 Micro-dome IR 2MP 850Nm 3.6mm Silver/ BNC

D057WDR29IR.01 Micro-dome IR 2MP 850Nm 3.6mm Silver/ BNC

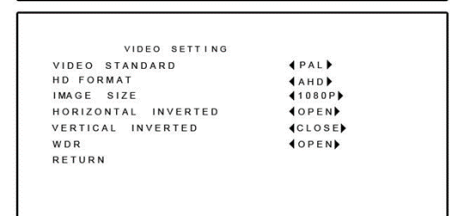
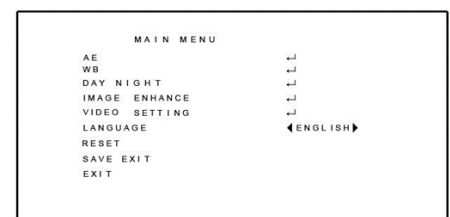
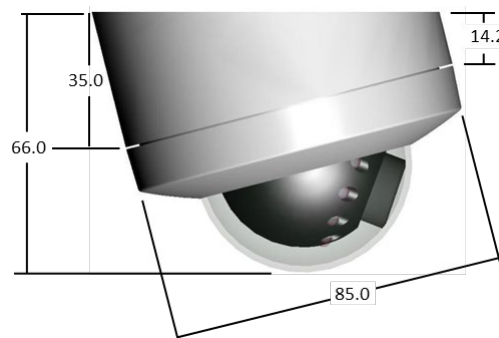
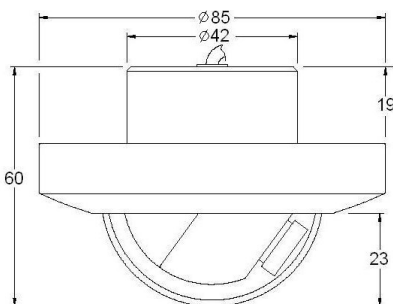
D057WDR25IR.01 Micro-dome IR 2MP 850Nm 2.5mm Silver/ BNC

N.B.

D056/57MAS Silver Surface mount wedge (D056/57MAB Black option)

.01 – BNC & Power Jack / .02 Stripped cable ends

Dimensions



Specifications

D057WDR Range

VIDEO	
Imaging Device	½.8" Colour CMOS Sensor IMX307
Total Pixels	1920 (H) x 1080 (V)
Resolution	2MP
Min. Illumination	Colour: 0.01 Lux @ F1.2 / Monochrome 0.0Lux - 0.01Lux Colour only options
IR LEDs	10 x LEDs (850nm – 10m) option
Video Output	1 V pk-pk 75Ω
Wide Dynamic Range	50db
S/N Ratio	>50db (AGC off)
LENS	
Focal Length	2.5 mm, 2.9mm, 3.6mm
Field of View (H x V)	2.5mm: 133 ° ~ 70° / 2.9mm: 108 ° ~ 58° / 3.6mm: 88 ° ~ 74°
Lens / Mount Type	Fixed Iris / Board-in type
ENVIRONMENTAL	
Operating Temp/ Hum	-10°C ~ +50°C / 10-85% RH
Ingress Protection / Vandal Resistance	IP67 / IK10
ELECTRICAL	
Power	12V DC, ±35mA / 100mA (IR LED Option)
Power Connector Type	BNC & Jack Plug (.01) or Cut cable (.02) / 4PIN Aviation options
MECHANICAL	
Pan & Tilt Adjustment	Eyeball camera style
Colour / Material	Silver & Black (B) options, Metal or ABS options
Dimensions (W x H)	Ø85 x 60 mm
Weight	207g
CERTIFICATION	
	CE/UKCA IP67/VCA E9/E11/R118

Customers who bought our Analogue Micro-Dome Cameras also viewed:



Stortech IP Micro-Dome Series:

- SNV-20XXOC/FS
- SNV-20XXOC/FAS
- SNV-20XXOT/FS



Stortech 7" On-board Monitors:

- SMF-0730/A
- SMF-0730/HT
- SMF-0730/WH



Stortech Rear Mounted Cameras:

- RV07-AHD-RT

Stortech Electronics Ltd

Unit 2, Spire Green Centre, Pinnacles,
Harlow, Essex
CM19 5TQ

+44 (0) 1279 451100

www.stortech.co.uk

sales@stortech.co.uk



Stortech Electronics Ltd



Stortech Electronics Ltd