



## D057 ICR RANGE

650TVL Vandal Resistant Mini-Dome



### Key Features

- 650TVL resolution CMOS Sensor
- 2.5mm, 2.9mm & 3.6mm lens options
- 10 x Smart LEDs 850nm / 940nm options
- 8-10m 850nm / 3-5m 940nm Illumination
- True Day/Night with IRC Option
- Weatherproof & Impact Resistant IP67/ IK10
- E-11 R118 certified

### Ordering Information

D057.01 Micro-dome IR 650TVL 3.6mm 850nm Silver/ BNC

D057COV.01 Micro-dome IR 650TVL 3.6mm 940nm Silver/ BNC

D05725.01 Micro-dome IR 650TVL 2.5mm 850nm Silver/ BNC

D05725COV.01 Micro-dome IR 650TVL 2.5mm 940nm Silver/ BNC

D05729.01 Micro-dome IR 650TVL 2.9mm 850nm Silver/ BNC

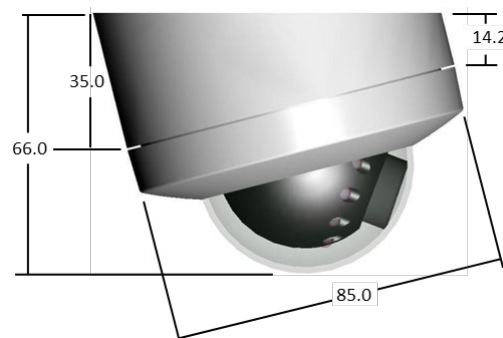
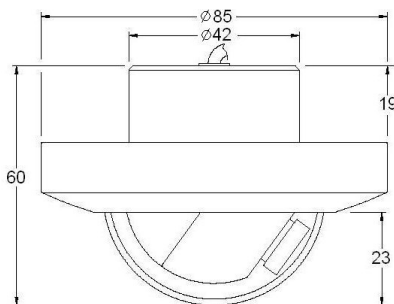
D05729COV.01 Micro-dome IR 650TVL 2.9mm 940nm Silver/ BNC

### N.B.

D056/57MAS Silver Surface mount wedge (D056/57MAB Black option)

.01 – BNC & Power Jack / .02 Stripped cable ends

## Dimensions



## Specifications

### D057 ICR Range

VIDEO	
Imaging Device	1/3" Colour CMOS Sensor PC3089
Total Pixels	756 (H) x 504 (V)
Resolution	650TVL
Min. Illumination	Colour: 0.01 Lux @ F1.2 / Monochrome
IR LEDs	10 x LEDs (850nm – 8 ~ 10m) (940nm – 3 ~ 5m) options
Video Output	1 V pk-pk 75Ω
Mirror Image	Reverse Trigger / Via Cut loop
S/N Ratio	>50db (AGC off)
LENS	
Focal Length	2.5 mm, 2.9mm, 3.6mm
Field of View (H x V)	2.5mm: 100 ° ~ 78.9° / 2.9mm: 80.4 ° ~ 65.3° / 3.6mm: 67 ° ~ 53°
Lens / Mount Type	Fixed Iris / Board-in type
ENVIRONMENTAL	
Operating Temp/ Hum	-10°C ~ +50°C / 85% RH
Ingress Protection / Vandal Resistance	IP67 / IK10
ELECTRICAL	
Power	12V DC, 100mA
Power Connector Type	BNC & Jack Plug (.01) or Cut cable (.02)
MECHANICAL	
Pan & Tilt Adjustment	Eyeball camera style
Colour / Material	Silver & Black (B) options, Metal or ABS options
Dimensions (W x H)	Ø85 x 60 mm
Weight	115g
CERTIFICATION	
	CE/UKCA IP67/VCA E9/E11/R118

Customers who bought our Analogue Micro-Dome Cameras also viewed:



#### Stortech IP Micro-Dome Series:

- SNV-20XX0C/FS
- SNV-20XX0C/FAS
- SNV-20XX0T/FS



#### Stortech 7" On-board Monitors:

- SMF-0730/A
- SMF-0730/HT
- SMF-0730/WH



#### Stortech Rear Mounted Cameras:

- RV09-AHD-2.5-RT
- RV09-AHD-3.6-RT

#### **Stortech Electronics Ltd**

Unit 2, Spire Green Centre, Pinnacles,  
Harlow, Essex  
CM19 5TQ

**+44 (0) 1279 451100**

[www.stortech.co.uk](http://www.stortech.co.uk)

[sales@stortech.co.uk](mailto:sales@stortech.co.uk)



Stortech Electronics Ltd



Stortech Electronics Ltd