

SNO-20XX1T

2M Bus & Lorry Ruggedised External camera



Key Features

- Max .2-megapixel (1920 x 1080) resolution
- 2.1mm, 2.8mm & 3.6mm lens options
- Max .25ips @ all resolutions, 20ips 4MP
- H.265, H.264 compression
- Day & Night (ICR)
- LED – 10m Illumination
- WDR, BLS, De-noise
- Rotatable eye-ball camera for Top, Bottom, Left & Right
- PoE options
- Metal



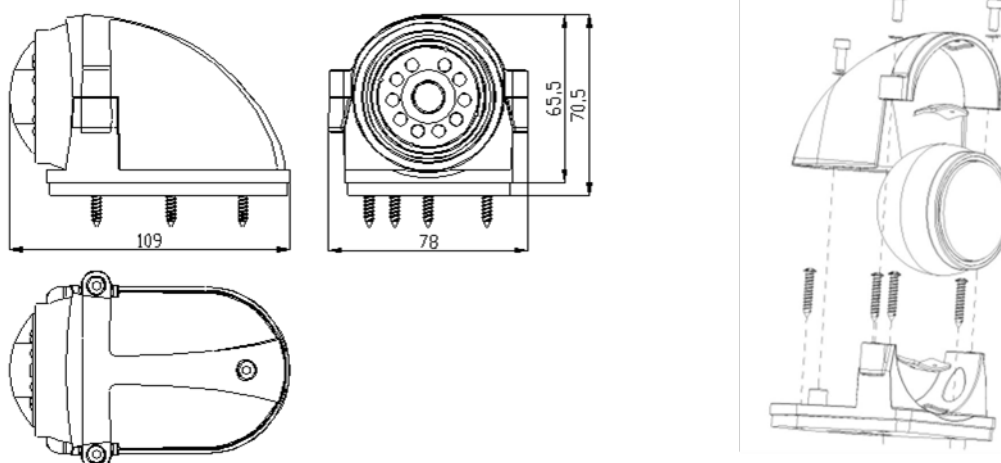
Ordering Information

SNO-20211T Oval, 2MP, 2.1mm, TD/N (PoE Ext Option)

SNO-20281T Oval, 2MP, 2.8mm, TD/N (PoE Ext Option)

SNO-20361T Oval, 2MP, 3.6mm, TD/N (PoE Ext Option)

Dimensions



Specifications

SNO-20XX1T/SNO-20XX1T/P

VIDEO	
Imaging Device	1/3" 4MP GC4653
Total Pixels	2'560 (H) x 1'440 (V) approx. 4M pixels
Effective Pixels	1'920 (H) x 1'080 (V) approx. 2M pixels
Min. Illumination	Colour: 0.01 Lux / B/W: 0 Lux (IR LED) TD/N
IR LEDs	10 x 850nm 10m Illumination
LENS	
Focal Length	2.1mm, 2.8mm & 3.6mm Options
Field of View	3.6mm: 76° ~ 41° / 2.8mm: 96° ~ 52° / 2.1mm: 104° ~ 56°
Lens / Mount Type	Fixed Iris / Board-in type
IMAGE SETTINGS	
Overlay Information	Name, Resolution, Bitrate, Channel Inf, Time, Position
Privacy Zones	Up to 4
Smart Night	Intelligent Mode, Infrared Light, White light
Image Mode	Standard, Faceless exposure, License plate mode
IR-Cut Sensitivity	High, Medium, Low
Delay Interval	10 ~ 600s
IR-Cut Reverse	On/Off
Image Mirror	Close, Flip Horizontal, Flip Vertical, Flip Centre
Image Adjustments	Brightness, Contrast, Saturation, Chromaticity, Sharpness
Anti-Flash Mode	50HZ, 60HZ, Close
Aperture Type	Auto, Manual
Exposure Time	Auto, 1/25, 1/30, 1/50, 1/60, 1/100, 1/120, 1/150, 1/180, 1/480, 1/960, 1/1,000, 1/2,000, 1/4,000, 1/8,000, 1/10,000
Gain	Auto, 6db, 12db, 18db, 24db, 30db, 36db, 42db
White Balance	Incandescent, Warm, Fluorescent, Natural, Manual, Auto, Locked
Denoise 3D	Auto, Weak, Normal, Strong
BLC	Open, Close
WDR	Auto, Weak, Normal, Strong
NETWORK	
IP Type	Manual, DHCP, Auto
Ethernet	RJ-45 (10/100 BASE-T)
Video Compression Format	Main & Sub streams: Video & Audio/ Video, H265+ (H.264/H.265), KFI 100 ~ 200, FPS (1 ~ 20), VBR/CBR
Resolution	Main code stream: 2560 x 1440, 2304 x 1296, 1920 x 1080, 1280 x 720 Sub code stream: 800 x 448, 704 x 576, 640 x 360, 352 x 288
Port Configuration	HTTP (80), Command Port (6060), Data Port (6066) (Defaults)
RTSP	Port default 554, Mainstream: rtsp://192.168.1.10:554/live/0/MAIN Sub stream: rtsp://192.168.1.10:554/live/0/SUB
Latency	Ave. 200ms
Max. Framerate	H.265 / H.264: Max. 20ips 4MP, 25ips at all other resolutions
Bitrate Control	H.265 / H.264: CBR or VBR
Streaming Capability	Multiple streaming (Up to 10 profiles)
Audio In	Selectable (Mic in / Line in)
Audio Compression	G.711U G.711A Formats
Audio Communication	Input & Output volume Adjust.
IP	IPv4, IPv6
Protocol	ONVIF, P2P, CGI, HTTP, TCP/IP, IPv4, RTSP, UDP, NTP, DHCP, DNS
Snapshot Configuration	Image Resolution: 640 x 360, Quality (High, Med, Low)
Streaming Method	Unicast / Multicast
User Access	1 x Admin, 5 x User
Interface	ONVIF profile S, Proprietor API
Viewing/ Setup S/W	Stortech VMS

ALARM SETTINGS	
Audible Alarm	Sound types, Custom, Dog, Alert, Warning, Monitoring, Hazardous area, Welcome, Private sector, Valuables, Private parking spaces. Delay time, before next alarm, 5, 10, 20, 30 s
Schedules	All Day, Manual (by day/hour), Night, Day
Alarm Output	1 x Name, Delay, Custom/keep, 1 ~ 600 s
Light Mode	Light mode: Always open, Twinkle, Delay 1 ~ 60 s (daytime only)
Defense Area	Human & Motion, (High. Med, Low) Audible, Light, Selectable zones (shape/size). Overlay for Human, Area by Main & Sub streams
System Settings – Date/Time	Format, 12/24hr, Sync to PC, Sync to Network Time, Daylight Saving
System Log	All, System, Configuration, Record, User Management, Alarm Event, Exception Event, Storage Management
ENVIROMENTAL	
Operating Temp/ Hum	-20°C ~ +55°C /10-95% RH
Ingress Protection / Vandal Resistance	IP67 / IK10
ELECTRICAL	
Power	48V PoE (IEEE802.3af, Class3) option via external cable
MECHANICAL	
Colour / Material	Black, Metal
Dimensions (W x H)	76.4 x 60.5x 56mm
Weight	310g

Customers who bought our External Box Cameras also viewed:



Stortech Micro-Dome Series

- D056XXXXRange
- D057XXXXRange
- D057 ICR Range



Stortech 7" On-board Monitor

- SMF-0730/A
- SMF-0730/HT
- SMF-0730/WH



Stortech Miniature Cameras:

- MPC-AHD
- MCC-1
- DCC1-AHD-RT

Stortech Electronics Ltd

Unit 2, Spire Green Centre, Pinnacles,
Harlow, Essex
CM19 5TQ

+44 (0) 1279 451100

www.stortech.co.uk sales@stortech.co.uk



Stortech Electronics Ltd



Stortech Electronics Ltd