



NETWORK CAMERA

Installation and Programming Manual

SNB-20XXOC Series



Network Camera

Installation and Programming Manual

Disclaimer

Stortech Electronics does its best to ensure the integrity and accuracy of the contents in this document and cannot guarantee this. The outcome of using this document shall be entirely the user's own responsibility. Stortech Electronics reserves the right to change the contents of this document without prior notice.

- Design and specifications are subject to change without prior notice.
- The default login is Admin, there is no password set when logging in for the first time. It is important that a password is then created.
- It is the responsibility of the user to ensure the security and management of the password.

Important Safety Instructions

1. Read, keep, and follow these instructions.
2. Only use the power supplies that are recommended in the manual, failure to do so could result in damaging the product.
3. When cleaning the product's surface use a soft, dry cloth or a damp cloth. Do not use detergent or products that contain alcohol, solvents or surfactants or oil constituents, they may damage the product. Especially the viewing bubble/window)
4. Do not use excessive force when installing the product, the camera may be damaged and fail to work. If the warranty seal is damaged, the warrantee will be void.
5. Install or uninstall the product as described in the manual, failure to do so may damage the product, affect the functions and performance that could invalidate the warrantee.
6. Install the product by referring to "Installation & connection" in the user manual.

Contents

Overview

- Product Features
- Recommended PC Specifications
- Packaging List

Installation

- Installation

Network Connection and Set-up

- Connecting the Camera directly to a Local Area Networking (LAN)
- Connecting directly to a DHCP server
- Router via the PoE/Cable Modem

Web-Viewer

- Connecting to the camera
- Password setting
- Log in.
- Plug-in support specification for each browser
- Installing Web Viewer Plugin
- Using a Plug-in free Web Browser
- Using the Live Screen
- Playing the recorder video

Setup Screen

- Setup
- Video & Audio Setup
- Network Setup
- Event Setup
- Analytics Setup
- System Setup

Addendum

- Specification
- Product Overview
- Trouble Shooting

Overview

Product Features

- Max. 2megapixel (1920 x 1080) resolution
- 2.3mm lens options
- Max. 25fps/PAL all resolutions,4MP max20fps/PAL (H.265/H.264)
- H.265, H.264 Compression
- Colour only options
- WDR, BLS, De-noise
- Privacy Zones
- Image Mirror
- PoE options
- Metal
- ONVIF Profile S
- For more information, refer to www.onvif.org.



Recommended PC Specifications

- CPU: Intel(R) Core (TM) i7 3.4 GHz or higher
- RAM: 8G or higher
- Supported OS: Windows 7, 8.1, 10,
- plug-in free web viewer
- Supported web browsers: IE(Best) Google Chrome, MS Edge, Mozilla Firefox (Windows 64bit only),
- plug-in web viewer

Packaging List

- Camera x 1
- Instruction manual x 1 (Via QR Code)
- Foot plate x 1
- Hex-key x 1
- Mounting screw x 3
- M4 x10 cross screw x2
- M4 x16 socket head cap screw x2

Installation

This camera is waterproof IP67, however the RJ45 socket on the Cat6 is not unless it is paired with the correct weatherproof plug.

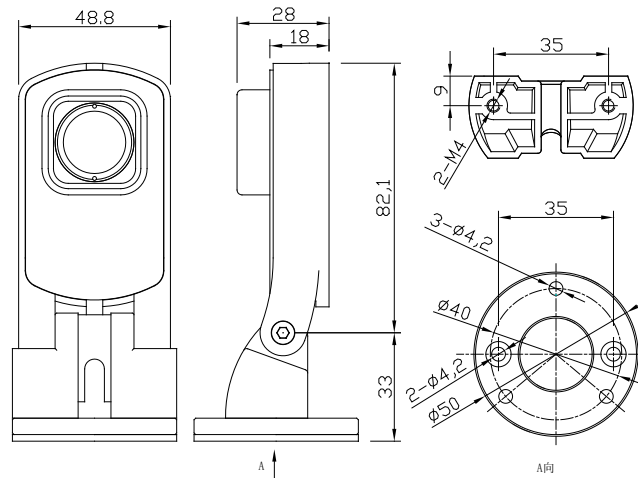
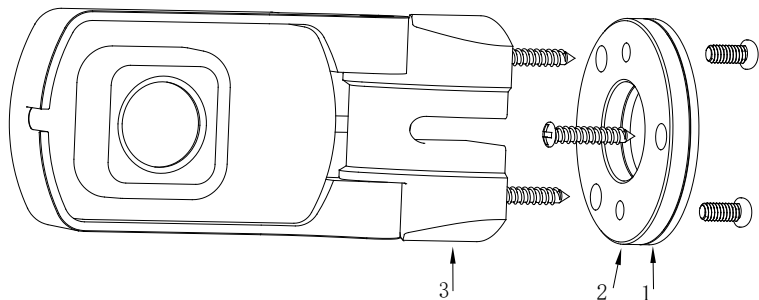
Precaution

Before installing the camera ensure you read out the following instructions:

- The wall or ceiling that the camera is installed upon to withstand 5 x times the weight of the camera.
- Any excessive force used when installing the product may cause damage and/or malfunction.

Installation

1. If requiring the fixings from the front, pls fix the camera (3) to the foot plate (2) with M4 Cross screws. If accepting the fixing from the rear, pls ignore the foot plate.
2. Locate the Camera to the vehicle body or wherever you want to install, and then fix the Camera with the supplied mounting screws
3. Connect the camera cable to the equipment, and then adjust and fix the camera body upon the viewing angle you need



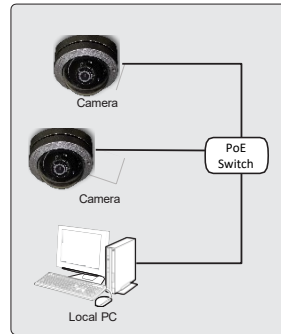
Remote Setting

Connecting the Camera directly to a Local Area Networking (LAN)

This camera can be connected to using Stortech VMS software, a Network Video Recorder (NVR) or a Web-Browser. This manual will show how to connect and set up via a Web-Browser. The set up via Stortech's VMS software, or an NVR, please refer to the separate manuals.

While it is not always necessary, it is good practice to disable the PC's Wi-Fi.

1. The camera's default IP address is 192.168.1.10. Set your PC to an appropriate IP address such as 192.168.1.1. with a subnet Mask of 255.255.255.0.
2. Ensure that the camera is powered up, either via a PoE switch or separate power supply.
3. Ensure your PC is connected to the same switch and green flashing lights are on both switch ports.
4. Launch an Internet Browser on the local PC.
5. Enter the camera's IP address in the address bar of the browser.
6. Once the login page appears, click "login". It will ask if you wish to set the P/W now or "next time". It is best practice to set the P/W now.



- A A choice of MJPEG (Default), VCL or QuickTime via plugins. You can view your image in 4:3, 16:9 or Full Screen.
- B Live Viewing, to watch the live image
- C AI Intelligence
- D Remote Settings – Camera configuration
- E Local Settings
- F Logging out of Camera
- G Viewing Window

The screenshot shows the 'User Login' page. It features a title 'User Login' and four input fields: 'User Name' with the value 'admin', 'Password', 'Preview Stream' with a dropdown menu showing 'MainStream', and 'Language' with a dropdown menu showing 'English'. At the bottom of the page, there are two buttons: 'Login' and 'Reset'.

Camera Config OSD Configuration

1. Name
2. Additional information
3. Channel Display
4. Time Display

Choose the camera's name

Such as resolution

Enable/Disable

Enable/Disable

Image Control

1. Default
2. Smart Night
3. Image Mode
4. Work Mode
5. Onset brightness threshold
6. IR-Cut Reverse
7. Brightness/ Contrast/ Saturation/Hue/Sharpness
8. Defog
9. Flicker Control
10. The Flash strength

Returns this page to factory default

Prioritise, White light, Infra-Red light, or Intelligent Light (Camera decides best option).

Options include Standard, Faceless or Numberplate exposures. Reduces over exposure due to bright light

Manual

(Check)Control the light on/off time.

The numerical value less than the light will be on earlier and off later

Manually removes the IR-Cut filter during the day.

Adjusts the settings of each over a percentage of 0 - 100

Auto engages frame integration technology to make foggy/rainy scenes clearer.

Options of 50Hz or 60Hz, strobe light flickering compensation

An exposure setting for indoor fluorescent lights strobe timings.



Remote Setting

Privacy Zones

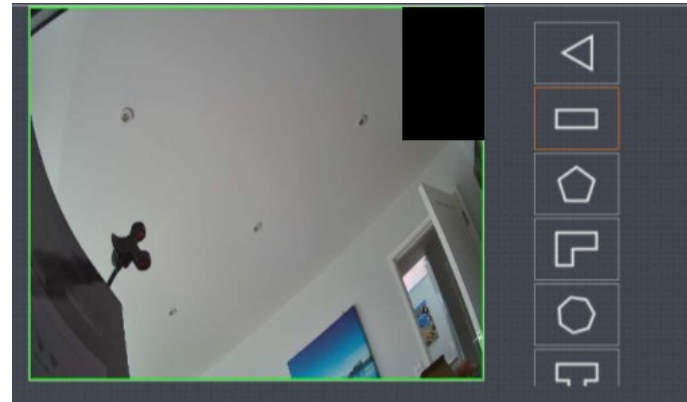
The ability to set up to 4 separate zones to hide sensitive areas from view.

Network Configuration

1. IP Type
Static, DHCP, Auto
Dynamic Host Configuration Protocol,
2. Auto IP
IPv4, IPv6
3. IP Address
Entering the Static IP Address
4. Subnet Mask
If you have a Static IP Address, you must set the Subnet Mask. Commonly set to 255.255.255.0 unless IT admin have allocated one
5. Gateway
This is the local IP address of the broadband router
6. Primary DNS
DNS (Domain Name Service) server address.
7. Alternative DNS
Secondary Address
8. MAC Address
The unique name given to every IP product, created in the factory.

Port Configuration

1. HTTP Port
HTTP port used to access the camera via the web browser.
The default is 80(TCP), setting for Safari and Google Chrome browsers to 65535 is not allowed by security policy.
2. Command Port
Used in FTP to communicate the TCP port number to use for the data transfer channel.
3. Media Port
Passive Objects



Network Config		Save
IP Type	Static	▼
Auto IP	Enable	▼
IP Address	192.168.1.10	
Subnet Mask	255.255.255.0	
Gateway	192.168.1.1	
Primary DNS	114.114.114.114	
Alternative DNS	8.8.8.8	
MAC Address	5a:5a:00:25:22:ad	

Port Config		Save
HTTP Port	80	
Command Port	6060	
Media Port	6066	

Change the parameters will restart.

Remote Setting

Third Party Trigger

Not applicable in European and UK Markets

Third party agreement		Save
HK agreement	Disable	▼

Change the parameters will restart.

RTSP Streaming port

1. RTSP

RTSP: Used to transfer videos in the RTSP mode; the default is 554.

RTSP Config		Save
RTSP Port	554	

MainStream rtsp://IP:Port/live/0/MAIN
SubStream rtsp://IP:Port/live/0/SUB

P2P Configuration

Not applicable in European and UK Markets

P2P Config		Save
P2P	Enable	▼
UID	IOTEAA-492547-DYCVF	
Status	Offline	



Scan To Get DID



Scan To Download APP

Change the parameters will restart.

Remote Setting

Code Parameters

There are 10 video streams coming from the camera, the MainStream and 9 SubStream. The process of configuration is the same.

- | | |
|---------------------|---|
| 1. Stream Type | Video or Video & Audio |
| 2. Video Codec | H.264 / H.265 Compression |
| 3. Resolution | 2560 x 1440, 2304 x 1296, 1920 x 1080, 1280 x 720 |
| 4. I frame interval | Between 1 – 200, the number of Partial frames (P-Frames) between each Full frame (I-Frame). |
| 5. FPS | The number of frames per second (FPS) max25, (except 2560*1440 20FPS). |
| 6. Rate Control | CBR (Constant Bit Rate) default / VBR (Variable Bit rate) |
| 7. Quality | 5 settings between Highest, High, Medium, Low, Lowest) |

Audio Parameters

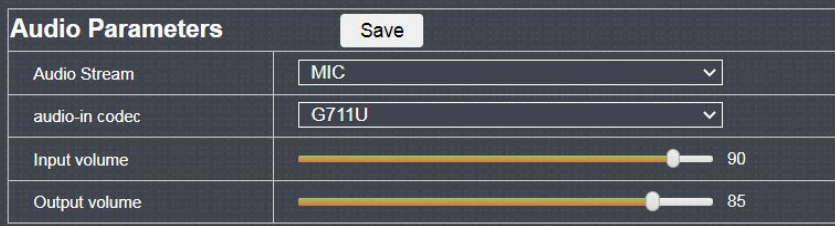
- | | |
|-------------------|---|
| 1. Audio Stream | Video or Video & Audio |
| 2. Audio-in Codec | G711U/ G.711A Formats |
| 3. Input volume | Adjusts the settings of each over a percentage of 0 - 100 |
| 4. Output volume | Adjusts the settings of each over a percentage of 0 - 100 |

Capture Config

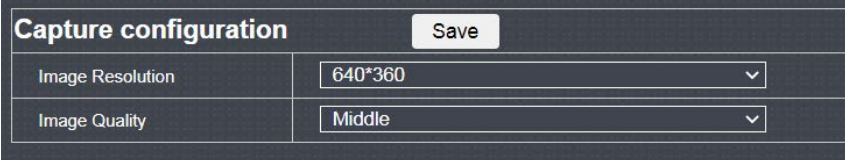
- | | |
|---------------------|-------------------|
| 1. Image Resolution | 640 x 360 |
| 2. Image Quality | High, Middle, Low |



MainStream		Save
Stream Type	Video & Audio Stream	▼
Video Codec	H.264	▼
Resolution	1080P(1920*1080)	▼
I frame interval	100	(1-200)
FPS	20	▼ (fps)
Rate Control	VBR	▼
Quality	Highest	▼



Audio Parameters		Save
Audio Stream	MIC	▼
audio-in codec	G711U	▼
Input volume	<input type="range" value="90"/>	90
Output volume	<input type="range" value="85"/>	85



Capture configuration		Save
Image Resolution	640*360	▼
Image Quality	Middle	▼

Remote Setting

Alarm Config

- | | |
|-------------------|---------------------|
| 1. Alarm Out | 1 Out Put |
| 2. AlarmOut Name | Selectable Name |
| 3. AlarmOut Delay | Custom/Keep 1 – 600 |

Alarm Out	
Alarm Out	1
AlarmOut Name	AO01
AlarmOut Delay	Customize
	10 (1~600) (Second)

System Config

- | | |
|---------------------|--|
| 1. Date Format | DD-MM-YY, YY-MM-DD etc. |
| 2. Time Format | 12-Hour / 24-Hour Clock |
| 3. Device date time | Synchronic with local PC date/time |
| 4. NTP Timing | Network Time Protocol Open/Closed |
| 5. Time zone | Select the time zones the cameras are in. |
| 6. Sync Interval | How often the cameras sync with the NTP server |
| 7. Server Address | The network address of the NTP Server |

Date/time	
Date format	DD-MM-YY
Time format	24Hour
Device date time	2021-01-01 00:12:14 Sync with PC date time
NTP Timing	Open
Time zone	(GMT +08:00) Beijing, Singapore, Taipei
Sync Interval	01 Hour
Server Address	pool.ntp.org

Daylight Saving

- | | |
|------------------------------|---------------------------------|
| 1. Enable DST | Open / Closed |
| 2. Daylight Saving Time Mode | Week/ Month |
| 3. Time Offset | Between -1& 2 Hours |
| 4. Start Time | Date & Time clocks go forward |
| 5. End Time | Date & Time clocks go backwards |

DST	
Enable DST	Open
Daylight Saving Time Mode	Week
Time Offset	1Hour
Start Time	Mar The 2nd Sun 02:00:00
End Time	Nov The 1st Sun 02:00:00

Local Setting

User Management

There are 6 Admin (x 1) and 5 user accesses to the camera, only Admin has the ability to change any parameters.

User Management			Save
NO.	User Name	Enable/Disable	User Name: <input type="text" value="admin"/>
1	admin	Enable	Password: <input type="text"/>
2	user1	Disable	Enable/Disable: <input type="text" value="Enable"/>
3	user2	Disable	
4	user3	Disable	
5	user4	Disable	
6	user5	Disable	

User1 ~ user5 cannot modify device parameters!

A string of 8 to 16 characters can contain only digits, lowercase letters, and uppercase letters

Device Info

This is for information only, showing Firmware, software, Device Serial Number and other important pieces of information.

Basic Info	
Device Name	<input type="text" value="IPC"/>
Device Model	<input type="text" value="F5G"/>
Device Serial Number	<input type="text" value="I20AC168FF6580A0067E343"/>
Software Version	<input type="text" value="3.5.0-20220921SG"/>
WEB Version	<input type="text" value="22.09.09.9989"/>
Alarm input number	<input type="text" value="0"/>
Alarm output number	<input type="text" value="1"/>
Voice Talk	<input type="text" value="Support"/>

PTZ Setting

1. PTZ
2. PTZ Address
3. Bitrate
4. PTZ Step
5. PTZ Protocol

Open / Closed
Based on RS485 addressing
PTZ Bit rate i.e., 115200 (Pelco)
1
Pelco D

PTZ Setting		Save
PTZ	<input type="text" value="Open"/>	
PTZ Address	<input type="text" value="1"/>	
Bitrate	<input type="text" value="115200"/>	
PTZ Step	<input type="text" value="1"/>	
PTZ Protocol	<input type="text" value="PelcoD"/>	

Local Settings

Auto Reboot

- | | |
|--------------------------|-------------------------------------|
| 1. Maintenance Mode | Select the Reboot frequency |
| 2. Week Plan | Select the day for the Reboot |
| 3. Maintenance Time | Select the Reboot time |
| 4. Next Maintenance Time | The time the next Reboot is planned |

Firmware (F/W) Upgrade

When new F/W is released, it can be loaded into the camera from here. It will ask you to brows your PC to the folder holding the F/W update.

Restore Default

- | | |
|--------------------|---|
| 1. Simple Recovery | To factory setting (not delete user data) |
| 2. Full Recovery | To factory settings (all data delete) |
| 3. Reboot | Restart the camera |

Auto Reboot		Save
Maintenance Mode	Everyweek	▼
Week Plan	<input checked="" type="checkbox"/> Sun. <input type="checkbox"/> Mon. <input type="checkbox"/> Tue. <input type="checkbox"/> Wed. <input type="checkbox"/> Thu. <input type="checkbox"/> Fri. <input type="checkbox"/> Sat.	
Maintenance Time	23:59	
Next Maintenance Time	2023-04-23 23:59	

Firmware Update

Restore Default	Save
<input type="radio"/> Simple recovery	
<input type="radio"/> Full recovery	
<input type="radio"/> Reboot	

Local Setting

1. Local Disk
2. Record Path
3. Snapshot Path
4. File Type
5. Save

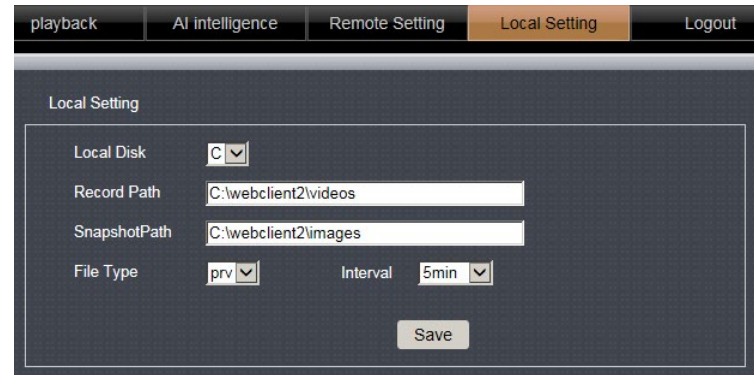
Choose the recording disk

Video recording position

Image recording position

Recording format Interval:
video recording time
(1/5/15/30/60min)

Saving the changes



The screenshot shows a web interface with a navigation bar at the top containing 'playback', 'AI intelligence', 'Remote Setting', 'Local Setting' (highlighted), and 'Logout'. Below the navigation bar is a 'Local Setting' configuration panel. The panel contains the following fields:

- Local Disk: A dropdown menu showing 'C'.
- Record Path: A text input field containing 'C:\webclient2\videos'.
- SnapshotPath: A text input field containing 'C:\webclient2\images'.
- File Type: A dropdown menu showing 'prv'.
- Interval: A dropdown menu showing '5min'.

A 'Save' button is located at the bottom right of the configuration panel.

Intelligent Detection

Human shape detection

- | | |
|----------------|--|
| 1. Enable | Enable/ Disable |
| 2. Sensitivity | High, Medium, Low |
| 3. Type | Sound output, Light alarm, Trigger Alarm out |

Motion

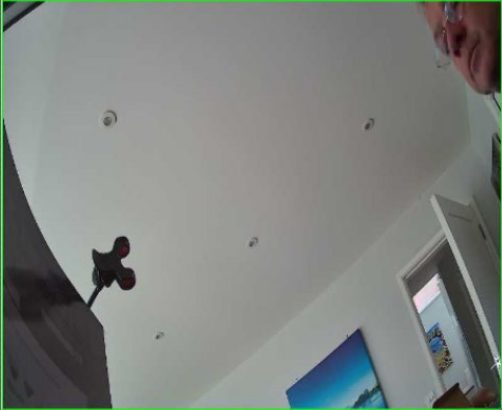

- | | |
|-----------|-----------------|
| 1. Enable | Enable/ Disable |
|-----------|-----------------|

Defence Area

The area of interest split into up to 4 zones. There are 6 shape options to maximise your coverage. Triangle, Rectangle, Pentagon, "L" shape, Heptagon, and "T" shape

Human shape detection	Motion	Defense area	Schedule
Humanoid configuration		Save	
Enable	Enable		
Sensitivity	Middle		
<input checked="" type="checkbox"/> Sound output	<input type="checkbox"/> Light alarm	<input type="checkbox"/> Trigger Alarm out	

Human shape detection	Motion	Defense area	Schedule
Mobile detection configuration		Save	
Enable	Disable		

Human shape detection	Motion	Defense area	Schedule
Defense area		Save	
			
			

Specifications

Voice alarm / Audible alarm

1. Audible alarm
2. Humanoid/man-made sound type
3. Delay Time
4. Schedule

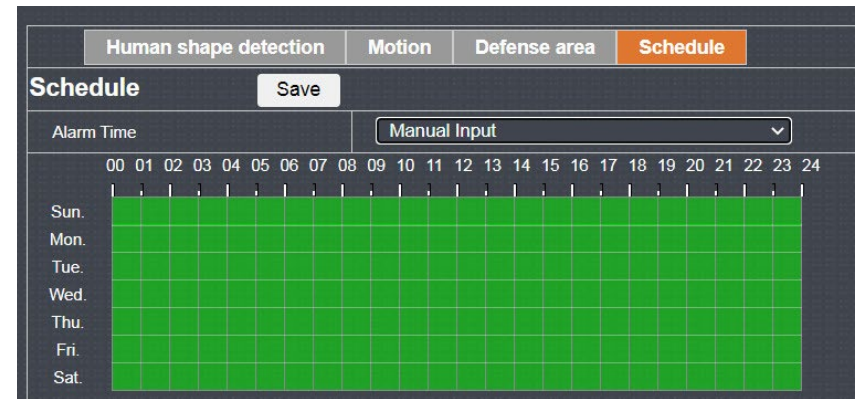
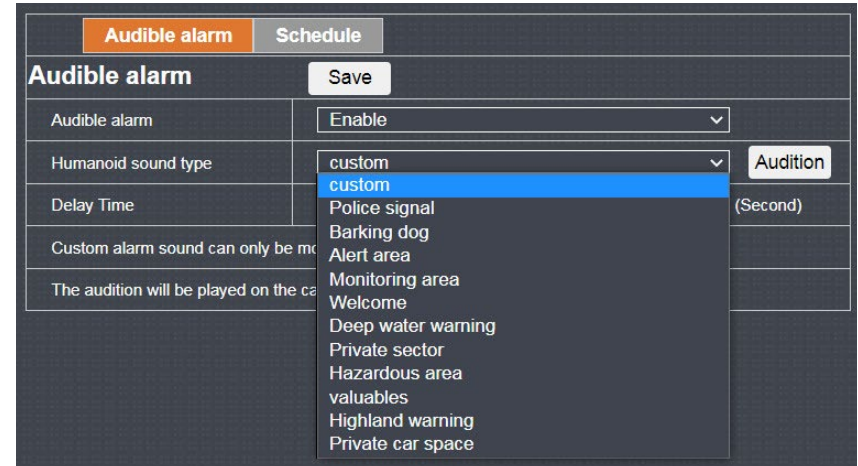
Enable / Disable

Custom, Police signal, Dog barking, Alert area, Monitoring area, Welcome, Deep-water warning, Private sector, Hazardous area, Valuable – Test & Check

(Not available for this camera, need to contact with external speakers)

Select between 1 – 600s

1 hourly increments by day &time



Light Alarm

- | | |
|------------------|----------------------------------|
| 1. Lighting mode | Always Open / Twinkle (Flashing) |
| 2. Delay record | (1-60 secs) |

N.B. This function is only triggered by human movement and will only work during the daylight hours
(Not available in this camera, need to connect with different IR LED board)

Overlay settings.

This function gives the option of having a visual alert of a frame surrounding the object of interest, on either the Main or Subcode streams or both.

- | | |
|-------------------|---|
| 1. MainStream | Options of a visual frame around a human of object. |
| 2. Subcode Stream | Options of a visual frame around a human of object. |

Light alarm

Save

Lighting mode	awaysopen
DelayRecord	twinkle

This function is only triggered by humanoid and only works during the day

Overlay settings

Save

MainStream	<input checked="" type="checkbox"/> Human frame	<input checked="" type="checkbox"/> Protective frame
Subcode stream	<input checked="" type="checkbox"/> Human frame	<input checked="" type="checkbox"/> Protective frame

Specifications

SNO-20XXOC

VIDEO	
Imaging Device	1/3" 4MP GC4653
Total Pixels	2,560(H) X 1,440(V) approx. 4M pixels
Effective Pixels	1,920(H) X 1,080(V) approx. 2.M pixels default
Min. Illumination	Colour: 0.01 Lux
IR LEDs	N/A

LENS	
Focal Length	2.3mm lens Options
Angular Field of View	100°(H), 54°(V)
Lens / Mount Type	Fixed iris / Board-in type

Image Settings	
Overlay Information	Name, Resolution, Bitrate, Channel Inf, Time, Position
Privacy Zones	Up to 4
Smart Night	Intelligent Mode, Infrared Light, White light
Image Mode	Standard, Faceless exposure, License plate mode
IR-Cut Sensitivity	High, Medium, Low
Delay Interval	10 ~ 600s
IR-Cut Reverse	On/Off
Image Mirror	Close, Flip Horizontal, Flip Vertical, Flip Centre
Image adjustment	Brightness, Contrast, Saturation, Chromaticity, Sharpness
Anti Flash Mode	50HZ, 60HZ, Close
Aperture Type	Auto, Manual
Exposure Time	Auto, 1/25, 1/30, 1/50, 1/60, 1/100, 1/120, 1/150, 1/180, 1/480, 1/960, 1/1,000, 1/2,000, 1/4,000, 1/8,000, 1/10,000
Gain	Auto, 6db, 12db, 18db, 24db, 30db, 36db, 42db
White Balance	Incandescent, Warm, Fluorescent, Natural, Manual, Auto, Locked
Denoise 3D	Auto, Weak, Normal, Strong
BLC	Open, Close
WDR	Auto, Weak, Normal, Strong

Alarm Settings	
Audible alarm	Sound types, Custom, Dog, Alert, Warning, Monitoring, Hazardous area, Welcome, Private sector, Valuables, Private parking spaces. Delay time, before next alarm, 5, 10, 20 30 s
Schedules	All Day, Manual (by day/hour), Night, Day
Alarm Output	1 x Name, Delay, Custom/keep, 1 ~ 600 s
Light Mode	Light mode: Always open, Twinkle, Delay 1 ~ 60 s (daytime only)
Defence area	Human & Motion, (High, Med, Low) Audible, Light, Selectable zones (shape/size). Overlay for Human, Area by Main & Sub streams

System Settings	
Date/Time	Format, 12/24hr, Sync to PC, Sync to Network Time, Daylight Saving
System Log	All, System, Configuration, Record, User Management, Alarm Event, Exception Event, Storage Management,

NETWORK	
IP Type	Manual, DHCP, Auto
Ethernet	RJ-45 (10/100 BASE-T)
Video Compression	Main & Sub streams: Video & Audio/ Video, H265+ (H.264/H.265), KFI

Format	100 ~ 200, FPS (1 ~ 20), VBR/CBR.
Resolution	Main code stream: 2560 x 1440, 2304 x 1296, 1920 x 1080, 1280 x 720 Sub code stream: 800 x 448, 704 x 576, 640 x 360, 352 x 288
Port Configuration	HTTP (80), Command Port (6060), Data Port (6066) (Defaults)
RTSP	Port default 554, Mainstream: rtsp://192.168.1.10:554/live/0/MAIN Sub stream: rtsp://192.168.1.10:554/live/0/SUB
Max. Framerate	H.265 / H.264: Max. 25fps at all resolutions 2560*1440 (20fps)
Bitrate Control	H.265 / H.264: CBR or VBR
Streaming Capability	Multiple streaming (Up to 10 profiles)
Image latency	Ave. 200ms
Audio In	Selectable (Mic in / Line in)
Audio Compression	G.711U G.711AFormats
Audio Communication	Input & Output volume Adjust.
IP	IPv4, IPv6
Protocol	ONVIF, P2P, CGI, HTTP, TCP/IP, IPv4, RTSP, UDP, NTP, DHCP, DNS
Snapshot Config	Image Resolution: 640 x 360, Quality (High, Med, Low)
Streaming Method	Unicast / Multicast
User Access	1 x Admin, 5 x User
Interface	ONVIF profile S, Proprietor API
Viewing/Setup S/W	Stortech VMS

ENVIRONMENTAL	
Operating Temp /Hum	-20°C ~ +55°C /10-95% RH
Ingress Protection / Vandal Resistance	IP67 / IK10

ELECTRICAL	
Power	48V PoE (IEEE802.3af, Class3) or RJ45+12V DC

MECHANICAL	
Colour / Material	Black
Dimensions (WxH)	110 x 50 x 28mm
Weight	155g

PROBLEM	SOLUTION
When a Windows 10 user accesses the webviewer through Chrome or Firefox, the sound volume of the microphone changes periodically.	<ul style="list-style-type: none"> • This is what happens when the microphone driver has been set to the Realtek driver. Install the High-Definition Audio device (Windows Default Driver) or a third-party driver as the microphone driver.
No video is displayed when accessing the plug-in free webviewer on Safari via HTTPS.	<ul style="list-style-type: none"> • On the authentication popup window prompted when initially accessing https, click "View Authentication Certificate" and select the "Always trust when connecting to the designated webviewer IP" checkbox. • If the webviewer continues failing to display a video after you select "Next" on the message window below, press the command key+Q to exit the Safari browser, access again and follow the procedures stated above.
I can't access the camera from a web browser.	<ul style="list-style-type: none"> • Check to make sure that the camera's Network settings are appropriate. • Check to make sure that all network cables have been connected properly. • If connected using DHCP, verify that the camera is able to acquire dynamic IP addresses without any problem. • If the camera is connected to a Broadband Router, verify that port forwarding is properly configured
Viewer got disconnected during monitoring.	<ul style="list-style-type: none"> • Connected Viewers become disconnected up on any change to camera or network configurations. • Check all network connections. • If the camera is connected over an PPPoE network, it is possible for the Viewer to disconnect under poor network conditions.
The camera connected to the network is not detected in the Stortech VMS software program.	<ul style="list-style-type: none"> • Turn off the fire wall settings on your PC and then search for the camera again. • Some cameras are powered via POE, ensure the POE camera is connected to a POE switch
No image appears.	<ul style="list-style-type: none"> • If the transmission method is set to multicast, check whether the router the camera is connected to supports multicast on the LAN. • Pls check if the IP camera address is the same as other devices on the LAN.



UK
CA CE

www.stortech.co.uk | Components +44 (0)1279 451100 | CCTV +44 (0)1279 419913 | sales@stortech.co.uk
Unit 2, Spire Green Centre, Pinnacles West, Harlow, Essex CM19 5TQ | Company registration number: 2217300 | VAT Registration Number: 493 0525 45

Whilst every effort has been made to ensure the accuracy of the information provided, no liability can be undertaken for any errors or omissions. All dimensions stated in this document are approximate. Stortech Electronics Ltd reserves the right to alter the specifications and introduce changes without prior notice. © Stortech Electronics 2023

stortech | Components and
CCTV specialist