

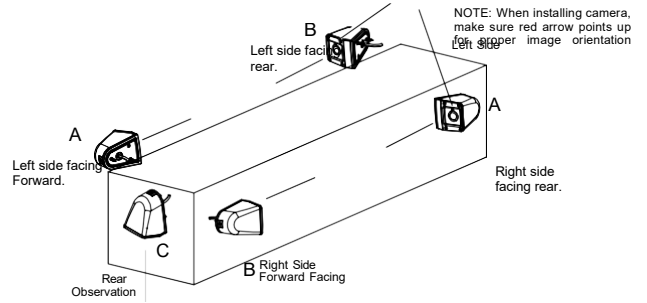
**True Day/Night IR LED MP AHD**

Model: **RV07-AHD-RT**

High resolution, 1.3 Megapixel, 12VDC,  
12 smart IR LEDs, with IR-Cut filter



Common Camera Placement Identified:



**Packing list:**

Camera	1
Instruction manual	1
Hex-key	2
M4 self-Tapping screw	3

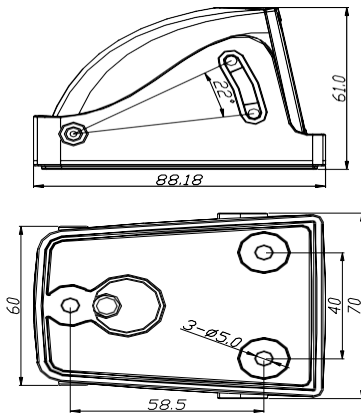
**Description:**

This is a high-quality Analogue High Density (AHD) CMOS technology camera. This outdoor, impact resistant true day/night (Colour/mono) camera produces high-resolution images with little. The AHD video is transmitted through 75-Ω coaxial cable and carries the HD signal as far as 250 meters without degradation. AHD system is same as traditional analogue system but needs a Digital Video Recorder capable of receiving an AHD signal. With its lightweight and compact size, this camera is ideal for monitoring and surveillance, especially the 850nm IR LED options, where high-quality images are needed 24/7.

**Cautions:**

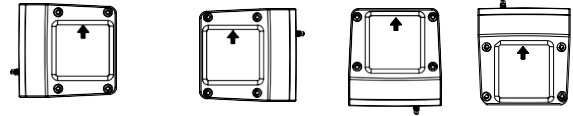
- (a) Avoid pointing the camera directly at the sunlight to prevent damage to the sensor.
- (b) Please ensure that the input voltage range is within the specifications.
- (c) Please do not place the camera in an environment of high temperature over 50°C.
- (d) Do not attempt to service the camera yourself. Please refer all services to qualified dealers.

**Dimensions:**



**Match camera letter with the below illustration:**

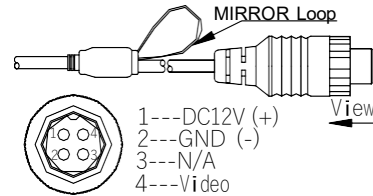
<b>A</b>	<b>B</b>	<b>C</b>	<b>D</b>
Right Side Rear Facing Left Side Forward Facing	Right Side Forward Facing Left Side Rear Facing	Rear Observation	Front Observation



**Connection:**

**Specifications:**

Model	RV07-AHD-RT
Pick up Device	1/2.9" CMOS Sensor GC2053
TV System	PAL
Picture Elements	1280(H)*960(V)
Resolution	1.3M pixels
Day-night mode	External control (default) / Auto / colour/mono
Infrared LEDs	12 x 850nm – 10m
S/N Ratio	More Than 50 dB, (AGC Off)
Auto Gain Control	Auto
White Balance	Auto
Electronic Shutter	AUTO/ 1/50 (1/60) -1/100,000sec
Back Light Compensation	Auto
Video output	1 Vp-p, 75ΩComposite, 4 ways Din jack x1
Mirror	Available
Lens	3.6mm (88°(H), 47°(V) MP Lens
Lens Mount	M12XP0.5mm Thread
Pan Adjusting	N/A
Tilt Adjusting	0-22°
Power Supply	12V DC ±10%
Power Consumption	150mA
Dimensions (L x W x H)	100 x 65 x 68 mm
Net Weight	360 g
Weatherproof	IP67
Impact Resistance	IK10
Operating Temperature	-10°C to +50°C



*\*Specifications are subject to change without prior notice.*

- Input voltage exceeding the nominal rating by over +/-10% will cause abnormal operation.

Note: This camera needs to connect to MDVR or DVR that supports AHD (Analog High Definition) system.