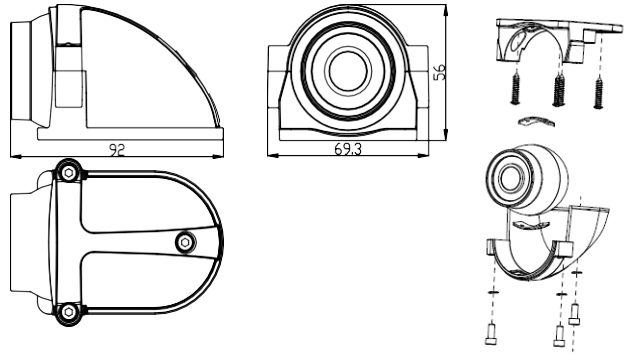


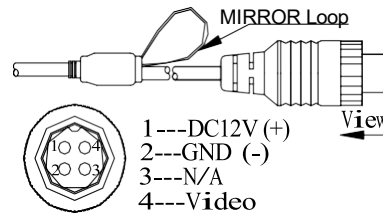
IR Day/Night Megapixel AHD

Model: **MPE-AHD-RT**

High resolution, 1.3 Megapixel, 12VDC, with smart 12 LEDs, IR-Cut filter



Connection:



Description:

This is a high-quality Analogue High Density (AHD) CMOS technology camera. This outdoor, impact resistant true day/night (Colour/mono) camera produces high-resolution images with little. The AHD video is transmitted through 75-Ω coaxial cable and carries the HD signal as far as 250 meters without degradation. AHD system is same as traditional analogue system but needs a Digital Video Recorder capable of receiving an AHD signal. With its lightweight and compact size, this camera is ideal for monitoring and surveillance, especially the 850nm IR LED options, where high-quality images are needed 24/7. The camera also comes with an On-Screen Display Menu in multiple national languages.

Cautions:

- Avoid the camera pointing at the direct sunlight and damaging the sensor.
- Please ensure that the input voltage range is within the specifications.
- Please do not place the camera in an environment of high temperature over 50°C.
- Do not attempt to service the camera yourself. Please refer all services to qualified dealers.

Packing list:

Camera	1
Instruction Manual	1
Self-Tapping Screws	4
Mounting Plug	4

Operation procedures:

- Loosen the locking screws.
- Attach the mounting base to the wall or ceiling by locating a wall stud or ceiling joint then secure the base using the supplied mounting screws.
- Connect the 4 ways, male din jack to the female jack on the cable.
- Attach the ball camera to the mounting plate.
- Then lock the screw.

Specifications:

Model	MPE-AHD-RT
Pick up Device	1/2.9" CMOS Sensor GC2053
TV System	PAL
Picture Elements	1280(H)*960(V)
Resolution	1.3MP
Day-night mode	External control (default) / Auto / colour/mono
Infrared LEDs	12 x 850nm – 8m
S/N Ratio	More than 50 dB, (AGC Off)
Auto Gain Control	Auto
White Balance	Auto
Electronic Shutter	AUTO/ 1/50 (1/60) -1/100,000sec
Back Light Compensation	Auto
Video output	1 Vp-p, 75Ω composite ,4 ways Din jack x1
Audio Output	N/A
Mirror	Available
Power Consumption	130mA
Lens	2.1mm, MP (120°(H) x 90°(V)) Lens
Lens Mount	M12XP0.5mm Thread
Power Supply	12V DC ±10%
Dimensions (L x W x H)	92 x69.3x 56mm
Net Weight	238g
Weatherproof	IP67
Impact Resistant	IK10
Operating Temperature	-10°C to +50°C

*Specifications are subject to change without prior notice.