

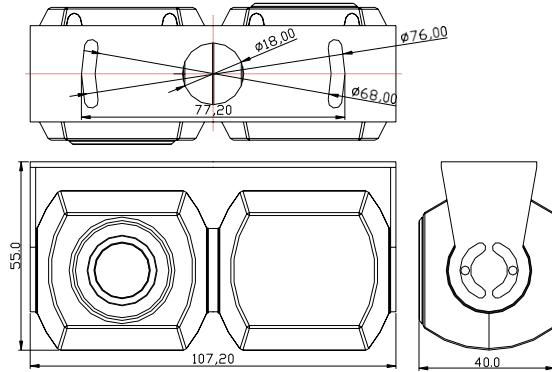
True Day/Night MP AHD Camera with IR

Model: DCC-1-AHD-RT

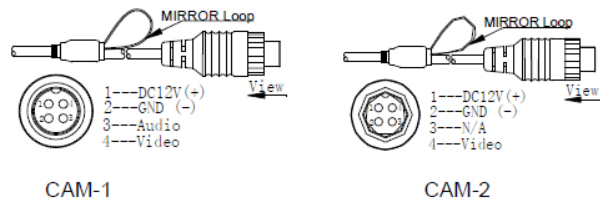
CAM-1, High-resolution, 1.3 Megapixel, 12VDC 12 smart LEDs, with IR-CUT & Audio



CAM-2, High-resolution, 1.3 Megapixel, 12VDC without LEDs



Connection:



Descriptions:

This is a high-quality surveillance system that comes with 2 x AHD (Analog High Definition) cameras. 1 x True Day/night with 850nm LEDs and one colour. The SD video is transmitted through 75-Ω coaxial cable and carries the SD signal as far as 250 meters without degradation. SD system uses the traditional Digital Video Recorder system. With its lightweight and compact size, this camera is ideal for monitoring and surveillance.

Features:

1. Mini rotatable vehicle camera with bracket
2. Dual Video output, providing images outside and inside the cabin at the same time.
3. Night Vision: 12pcs850nm IR Lights
4. Easy installation

Packing list:

Camera	1
Instruction Manual	1
Mounting screw	2
Lens	3.6mm

Cautions:

1. Please ensure that the input voltage range is within the specifications.
2. Please do not place the camera in a location with a temperature exceeding 50°C.
3. Do not attempt to service the camera by yourself. Please refer all services to qualified Dealers.

Operation procedure:

1. Fix the U-bracket to the camera mounting surface by the applied mounting screws.

2. Connect the 4 ways male din jack to the female jack on the cable.

Specifications:

Model: DCC-1-AHD-RT	CAM-1	CAM-2
Pick up Device	1/2.9" CMOS Sensor GC2053	
TV System	PAL	
Picture Elements	1280(H)*960(V)	
Effective pixels	1.3M pixels	
Infrared Spectrum	850nm	N/A
S/N Ratio	More than 50 dB, (AGC Off)	
Auto Gain Control	Auto	
White Balance	Auto	
Electronic Shutter	AUTO/ 1/50 (1/60) -1/100,000sec	
Back Light Compensation	Auto	
Infrared LED	12 LEDs	N/A
Infrared LED Range	8m	N/A
Video output	1 Vp-p, 75Ω composite ,4 ways Din jack x1	
Audio Output	4 ways Din Jack	N/A
Power Consumption	160mA	60mA
Mirror	Available	
Lens	f3.6mm Fixed MP Lens 72.2°(H), 52.9° (V)	
Lens Mount	M12XP0.5mm Thread	
Power Supply	12V DC ±10%	
Dimensions (L x W x H)	76.4 x 60.5 x 56mm	
Net Weight	260g	
Weatherproof	IP67	
Impact Resistant	IK10	
Operating Temperature	-10°C to +50°C	

*Specifications are subject to change without prior notice.

- Input voltage exceeding the nominal rating by over +/-10% will cause abnormal operation.