

CMOS 650TVL Micro-Dome

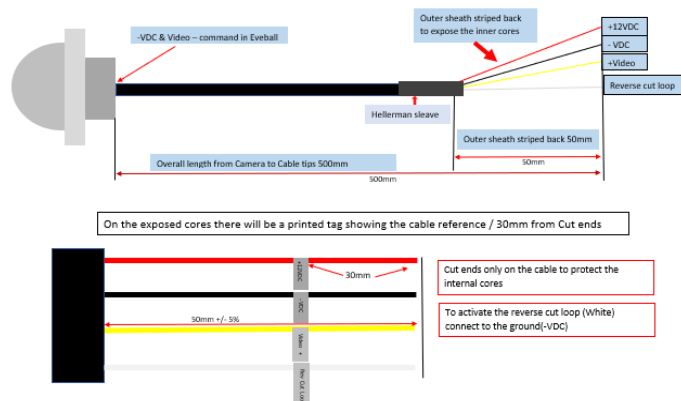
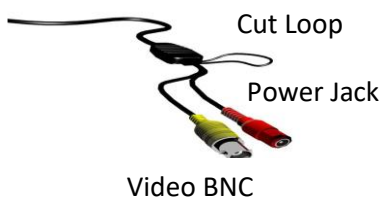
- STD 3.6mm Lens (other lens sizes available)
- IP67 Weatherproofing
- Reverse image cut loop.
- VCA E11 10R05/01*11622*00
- R118 E11 118R03/00*1310*00
- CE & UKCA
- Lightweight ABS Available in STD Silver or Black
- Plug and play Connections / Cut cables



Specification

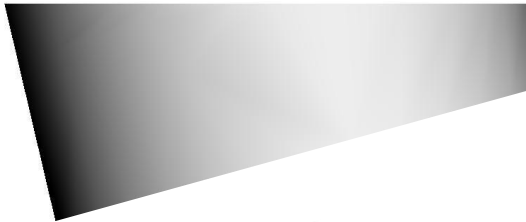
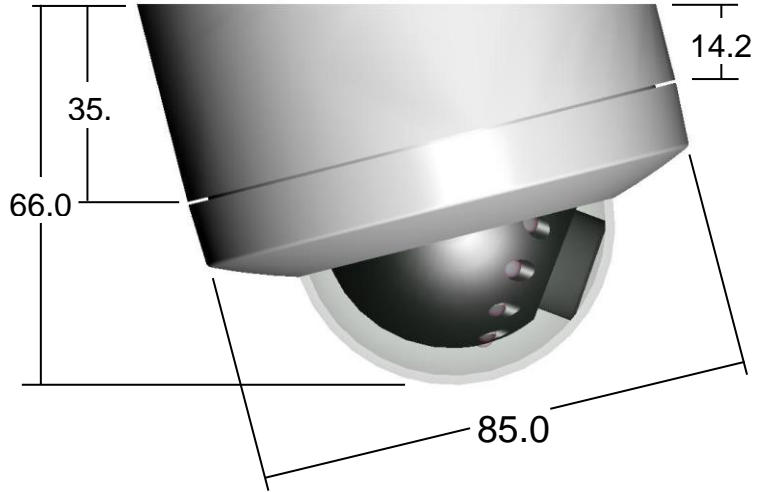
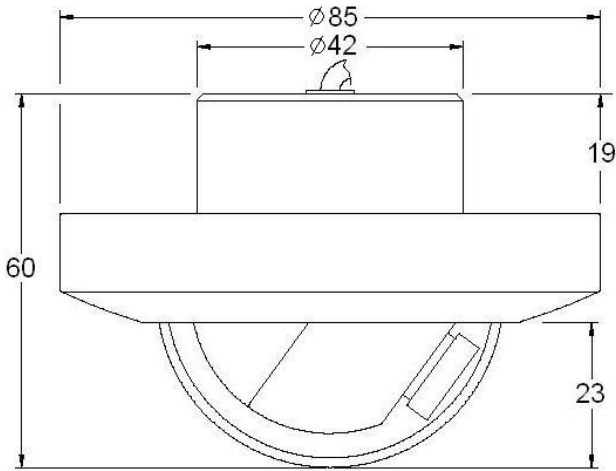
Order Code s	See the rear side of this Data Sheet
Sensor	1/3" colour CMOS Sensor PC3089
Picture Elements	756H X 504V
Resolution	650TVL
Sensitivity	0.01lux@F1.2
S/N Ratio	More than 50db, (AGC OFF)
Mirror Image/Revers Trigger	Via Cut Loop
Lens	STD 3.6mm (other lens sizes are available)
Video Output	1 V p-p 75Ω Composite, BNC
Electrical	
Power Consumption	35mA
Connection Type	Plug AND Play (BNC & Jack Plug) / Cut cable ends
Voltage	12Vdc ± 10%
Environmental	
Operational Temperature Range	-10°C ~ +50°C 85%RH
Weatherproof	IP67 / ABS
Mechanical	
Pan & Tilt Adjustment	Eyeball
Dimensions	85(L) x 60 (H)
Net Weight	115g
Certifications	
CE/UKCA IP67/VCA E9/E11/R118	

Electrical



Please read the above drawing information for correct termination information. Any Incorrect termination would damage the product and null and void any warranty. Stortech will not except any responsibility for any damage caused by incorrect terminations

Mechanical



Angled mounting adaptor
D056/D057 SMAS or SMAB Avoids
the need for larger aperture in
mounting surface and adds
14.5° extra tilt

Various Available models under the D056XXXX Range

D056XXXXRANGE Order Codes	D056XXXXRANGE Product Descriptions
D056/57SMAS	Silver/ Surface mount wedge for use with D056XXXXRANGE
D056/57SMAB	Black/ Surface mount wedge for use with D056XXXXRANGE
D056/57SMAMB	Black Metal Surface mount wedge for use with D056XXXXRANGE
D05636MB01.01	Micro-dome Metal 650TVL/ 3.6mm/ Black /BNC & Jack /PC3089 /RT
D0563601.01	Micro-dome/ 650TVL/ 3.6mm /Silver/ BNC & Jack/ PC3089 /RT
D0562501.01	Micro-dome/ 650TVL /2.5mm/ Silver/ BNC & Jack/ PC3089/ RT
D05636MB01.02	Micro-dome Metal 650TVL/ 3.6mm/ Black /Cut cable /PC3089 /RT (Special)
D0563601.02	Micro-dome/ 650TVL/ 3.6mm /Silver/ Cut cable/ PC3089 /RT (Special)
D0562501.02	Micro-dome/ 650TVL /2.5mm/ Silver/ Cut cable/ PC3089/ RT (Special)

