



### AHD-Multi Positional Camera

- 1 Mega Pixel AHD 720P
- IP67 Weatherproofing
- 4 Pin DIN Aviation Connection
- Mirror Image Cut Loop
- Compatible with MDVR402/800 range

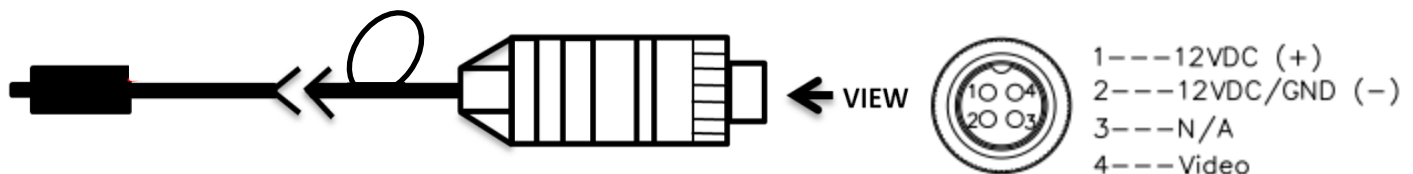


### Specification

Part Code	MPC-AHD / MPC-AHD-RT (Reverse Image Version)
Sensor	1/4" CMOS sensor AR0141
Picture Elements	1280(H) x 720(V)
Effective pixels	1.0M pixels
Sensitivity	0.05 Lux@ F1.2
S/N Ratio	More than 48db, (AGC OFF)
Electronic Shutter	AUTO/ 1/50 (1/60)-1/100,000sec
Reverse Image	MPC-AHD-RT only
Lens	f2.3mm Fixed Megapixel Lens
Gamma Ratio	0.45
Video Output	1 V p-p, Composite
<b>Electrical</b>	
Power Consumption	70mA
Connection Type	4 Pin DIN Aviation Connector with 500mm lead
Voltage	12V DC ± 10%
<b>Environmental</b>	
Operational Temperature Range	-10°C ~ +50°C 85%RH
Weatherproof	IP67
<b>Mechanical</b>	
Tilt Adjustment	-52° ~ +52°
Dimensions	24.4 x 36.0mm
Net Weight	96g
<b>Certifications</b>	
	CE, IP67

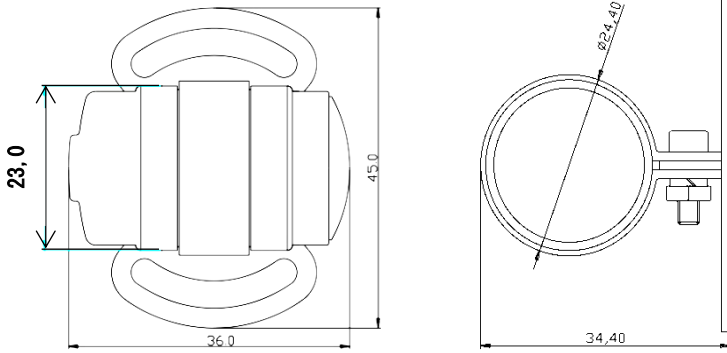
### Electrical

Mirror Cut Loop





**Mechanical (near actual size)**



**Associated Parts**

Part Code	Description
CA5-AHD-4PIN	4 PIN Aviation AHD 5 metre extension lead
CA10-AHD-4PIN	4 PIN Aviation AHD 10 metre extension lead
CA15-AHD-4PIN	4 PIN Aviation AHD 15 metre extension lead