

Rear Vehicle AHD IR Camera

- 1.3 Mega Pixel AHD 960P
- 12 x Smart LEDs with Colour /Mono TDN IR-Cut Filter
- IP67 Weatherproofing
- Mirror Image Cut Loop
- Compatible with MDVR402/800 range

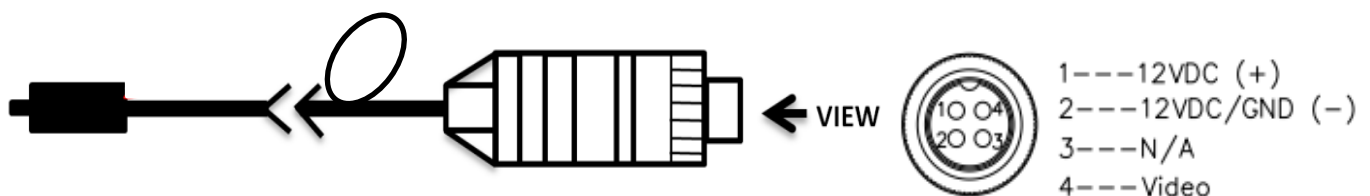


Specification

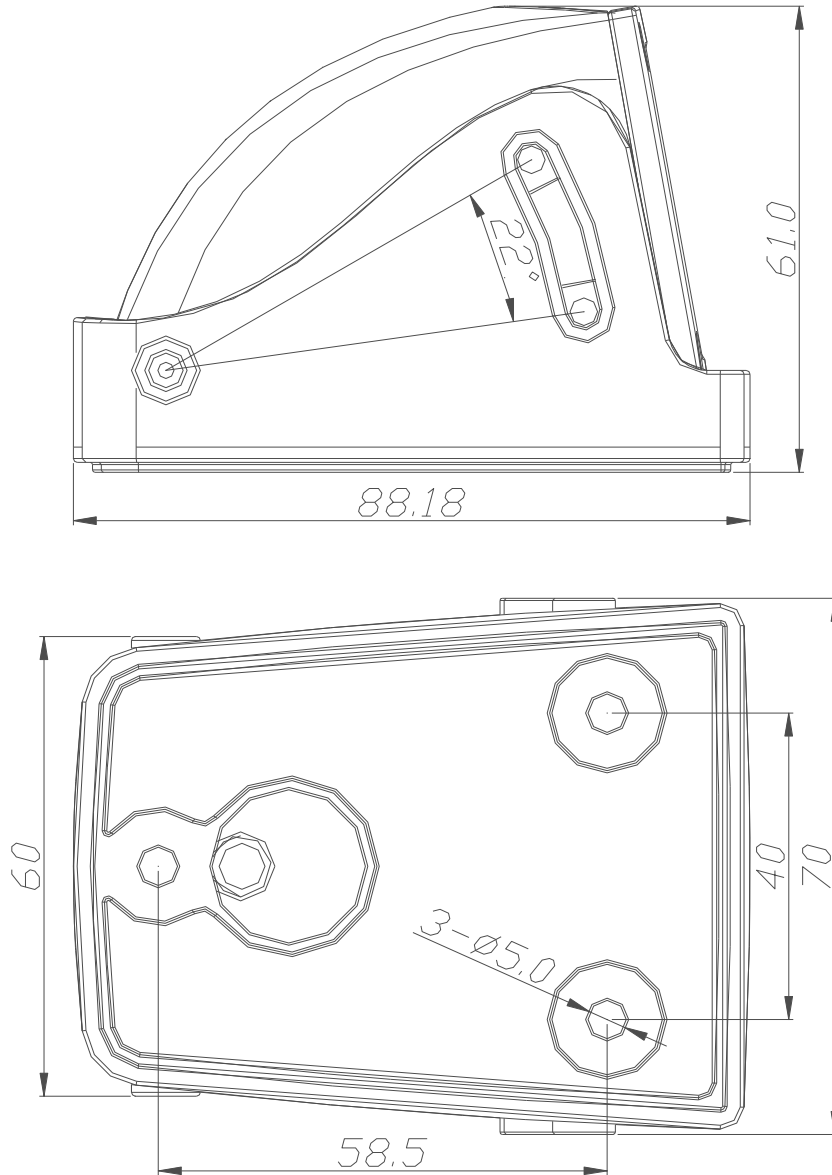
Part Code	RV07-AHD-RT
Sensor	1/3" CMOS Sensor ARO130
Picture Elements	1280(H) x 960(V)
Effective Pixels	1.3M pixels
Infrared Spectrum	12 x 850nm Smart IR
Infrared Range	10Mtr @ 850nm
S/N Ratio	More than 50db, (AGC OFF)
Wide Dynamic Range	~85db
Lens	f3.6mm Fixed Megapixel Lens
Video Output	1 V p-p, Composite , 4 Way Din Aviation Connector
Electrical	
Power Consumption	150mA (LED on)
Connection Type	4 Pin DIN Aviation Connector with 500mm lead
Voltage	12V DC \pm 10%
Environmental	
Operational Temperature Range	-10°C ~ +50°C 85%RH
Weatherproof	IP67
Mechanical	
Tilt Adjustment	0° ~ 22°
Dimensions	100(L) x 65 (W) x 68(H)
Net Weight	360g
Certifications	
	CE, IP67

Electrical

Mirror Cut Loop



Mechanical (near actual size)



Associated Parts

Part Code	Description
CA5-AHD-4PIN	4 PIN Aviation AHD 5 metre extension lead
CA10-AHD-4PIN	4 PIN Aviation AHD 10 metre extension lead
CA15-AHD-4PIN	4 PIN Aviation AHD 15 metre extension lead