



AHD External Vehicle Side

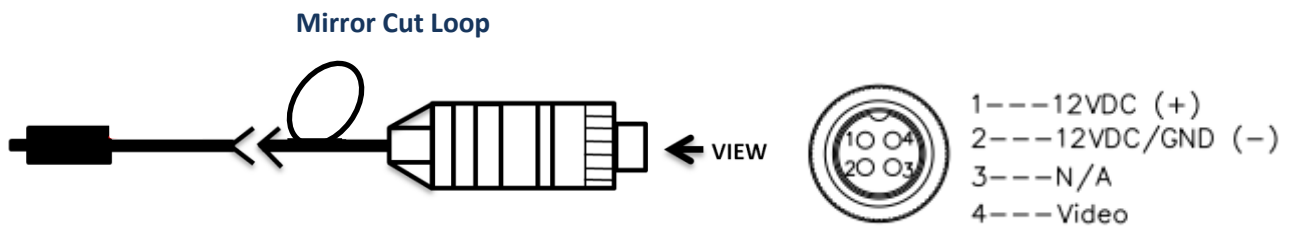
- 1.3 Megapixel AHD 960P
- 12 x Smart LEDs with IR-Cut Filter
- IP67 Weather Proofing
- Wide field of view
- Compatible with MDVR402/800 range



Specification

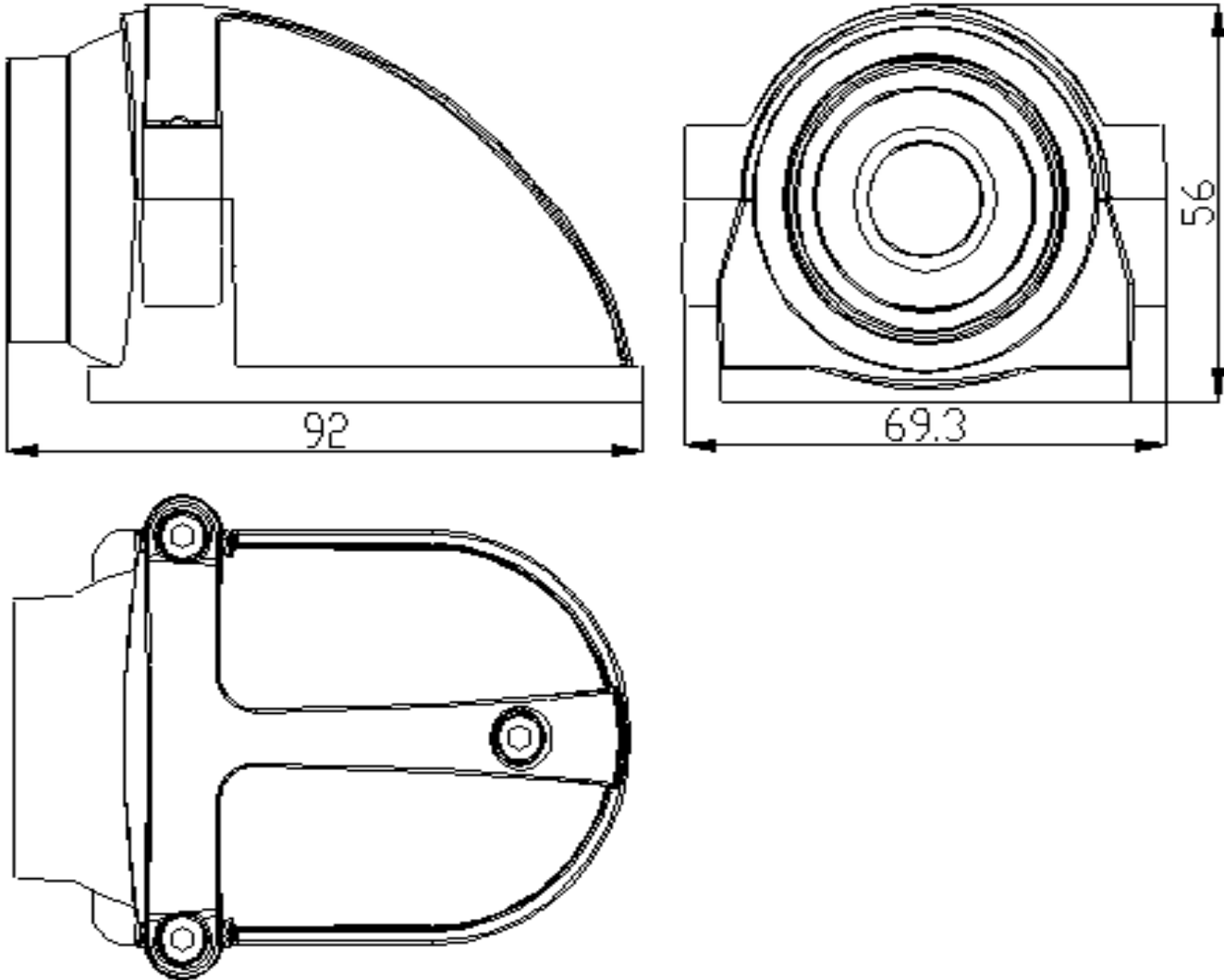
Part Code	MPE-AHD-RT
Sensor	1/3" AHD CMOS Digital Sensor
Picture Elements	1280(H) x 960(V)
Effective Pixels	1.3M pixels
Infrared Spectrum	12 x 850nm
Infrared Range	8Mtr
S/N Ratio	More than 48db, (AGC OFF)
Lens	f2.1mm Fixed Megapixel Lens
Video Output	1 V p-p, Composite , 4 Way Din Jack
Electrical	
Power Consumption	140mA(LED On)
Voltage	12V DC ± 10%
Environmental	
Operational Temperature Range	-10°C ~ +50°C 85%RH
Weatherproof	IP67
Mechanical	
Dimensions	76(L) x 60.5 (W) x 56(H)
Net Weight	238g
Certifications	
	CE, IP67

Electrical





Mechanical (near actual size)



Associated Parts

Part Code	Description
CA5-AHD-4PIN	4 PIN Aviation AHD 5 metre extension lead
CA10-AHD-4PIN	4 PIN Aviation AHD 10 metre extension lead
CA15-AHD-4PIN	4 PIN Aviation AHD 15 metre extension lead