

## AHD External Vehicle Side

- 1.3 Megapixel AHD 960P
- 12 x Smart LEDs with IR-Cut Filter
- IP67 Weather Proofing
- Mirror Image Cut Loop
- Compatible with MDVR402/800 range

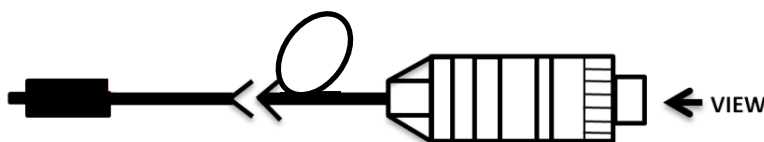


## Specification

Part Code	MPW-AHD-L-RT (Left)	MPW-AHD-R-RT (Right)
Sensor	1/3" CMOS Sensor ARO130	
Picture Elements	1280(H) x 960(V)	
Effective Pixels	1.3M pixels	
Infrared Spectrum	12 x 850nm	
Infrared Range	8Mtr	
S/N Ratio	More than 50db, (AGC OFF)	
Lens	f3.6mm Fixed Megapixel Lens	
Video Output	1 V p-p, Composite , 4 Way Din Jack	
<b>Electrical</b>		
Power Consumption	170mA (LED on)	
Voltage	12V DC ± 10%	
<b>Environmental</b>		
Operational Temperature Range	-10°C ~ +50°C 85%RH	
Weatherproof	IP67	
<b>Mechanical</b>		
Dimensions	76(L) x 60.5 (W) x 56(H)	
Net Weight	203g	
<b>Certifications</b>		
CE, IP67		

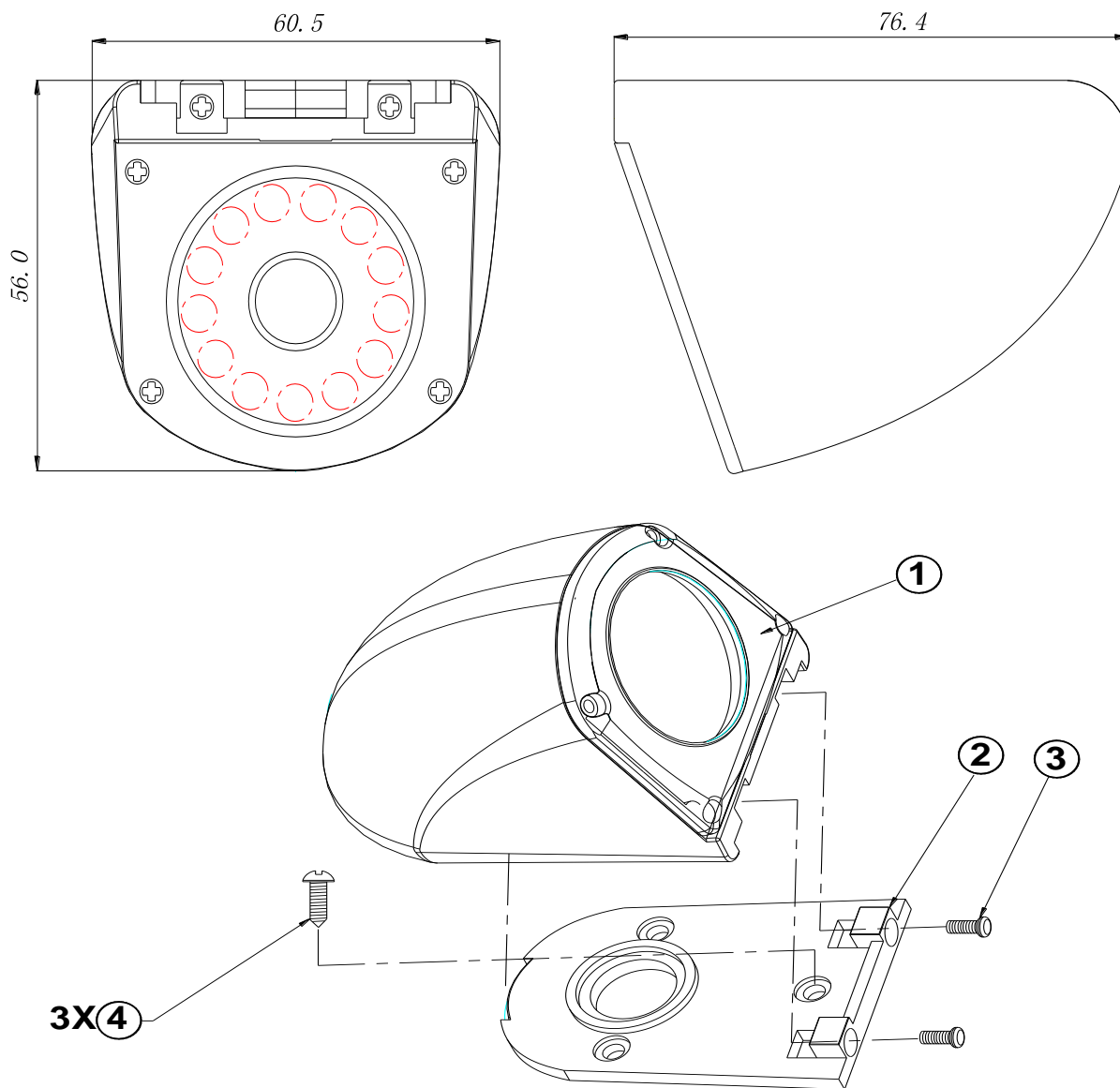
## Electrical

Mirror Cut Loop



- 1---12VDC (+)
- 2---12VDC/GND (-)
- 3---N/A
- 4---Video

**Mechanical** (near actual size)



**Associated Parts**

Part Code	Description
CA5-AHD-4PIN	4 PIN Aviation AHD 5 metre extension lead
CA10-AHD-4PIN	4 PIN Aviation AHD 10 metre extension lead
CA15-AHD-4PIN	4 PIN Aviation AHD 15 metre extension lead