



## High Resolution-AHD-Micro Dome

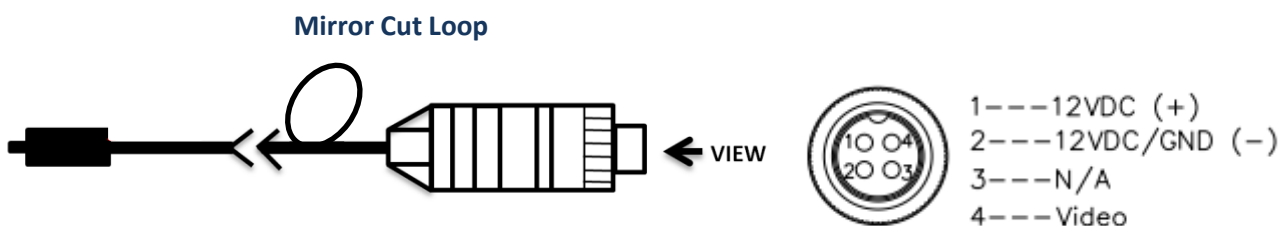
- 1.3 Mega Pixel AHD 960P
- 10 x Smart LEDs with smart IR-CUT
- IP67 Weatherproofing
- Available in Silver (S) or Black
- Compatible with MDVR402/800 range
- Optional Wedge Adaptor



## Specification

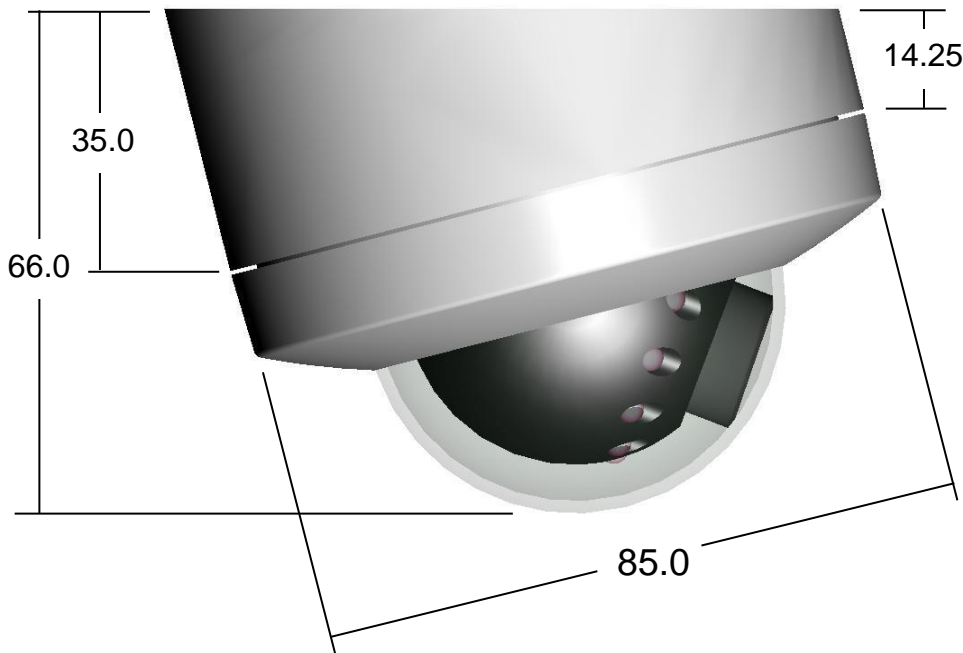
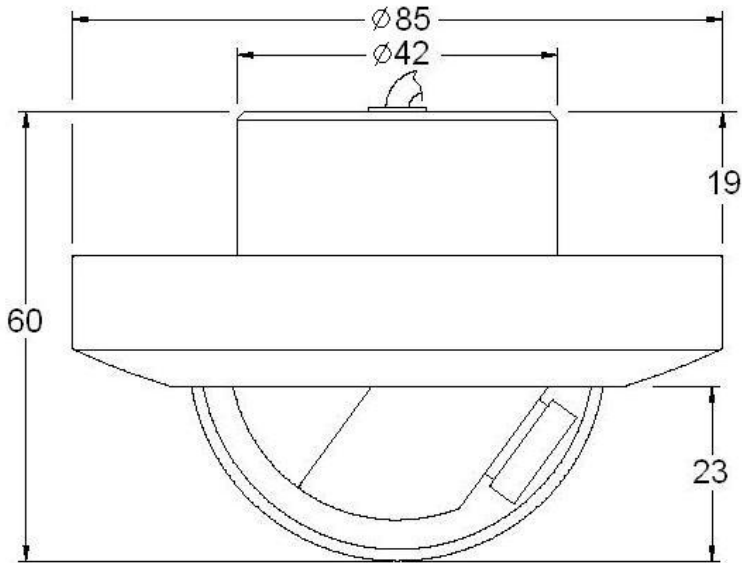
Part Code	D057(S)-AHD-2.5-PC Silver	D057-AHD-2.5-PC Black
Sensor	1/3" AHD CMOS Digital Sensor	
Picture Elements	1280(H) x 960(V)	
Effective Pixels	1.3M pixels	
Infrared Spectrum	10 x 850nm Smart IR-Cut	
Infrared Range	8Mtr @ 850nm	
S/N Ratio	More than 50db, (AGC OFF)	
Lens	f2.5mm Fixed Megapixel Lens / 3.6mm Option	
Video Output	1 V p-p, Composite , 4 Way Din Aviation Connector	
<b>Electrical</b>		
Power Consumption	120mA (LED on)	
Connection Type	4 Pin DIN Aviation Connector with 500mm lead	
Voltage	12V DC $\pm$ 10%	
<b>Environmental</b>		
Operational Temperature Range	-10°C ~ +50°C 85%RH	
Weatherproof	IP67 / Polycarbonate	
<b>Mechanical</b>		
Pan & Tilt Adjustment	Eye Ball	
Dimensions	85(L) x 60 (H)	
Net Weight	115g	
<b>Certifications</b>		
CE, IP67		

## Electrical





**Mechanical** (near actual size)



**Associated Parts**

Part Code	Description
D056/D057-SMA(S)-PC	Silver Poly-Carb wedge for use with above
D056/D057-SMA-PC	Black Poly-Carb wedge for use with above