



High Resolution-AHD-Micro Dome

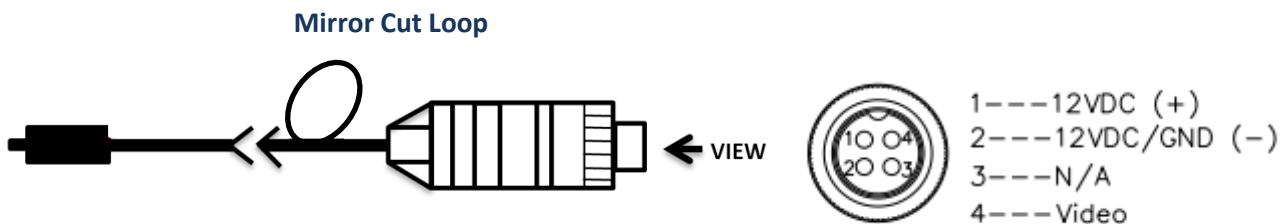
- 1.3 Mega Pixel AHD 960P
- IP67 Weatherproofing
- Available in Silver (S) or Black
- Compatible with MDVR402/800 range
- Optional Wedge Adaptor



Specification

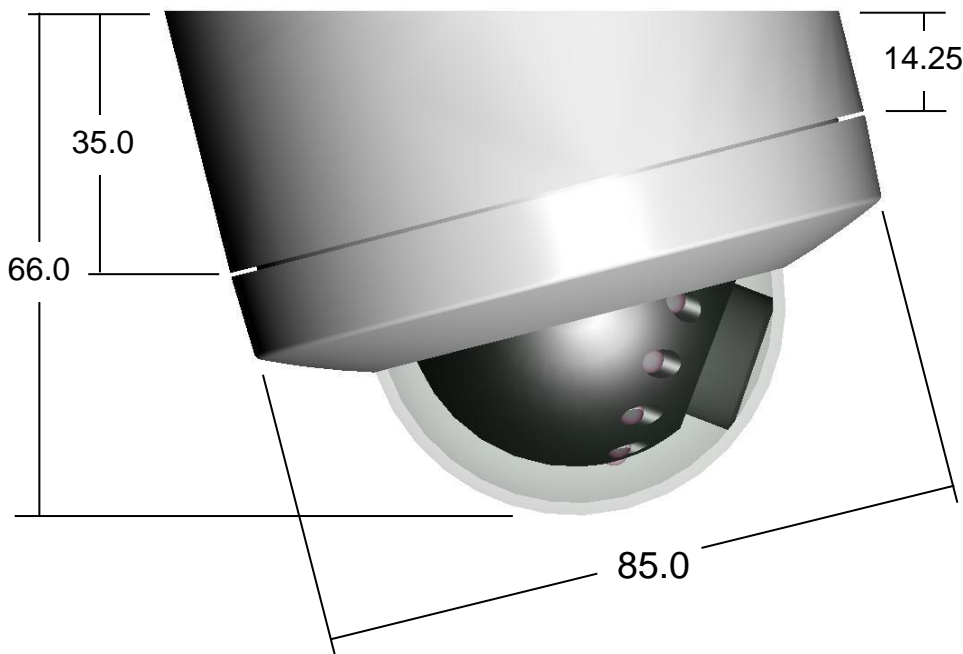
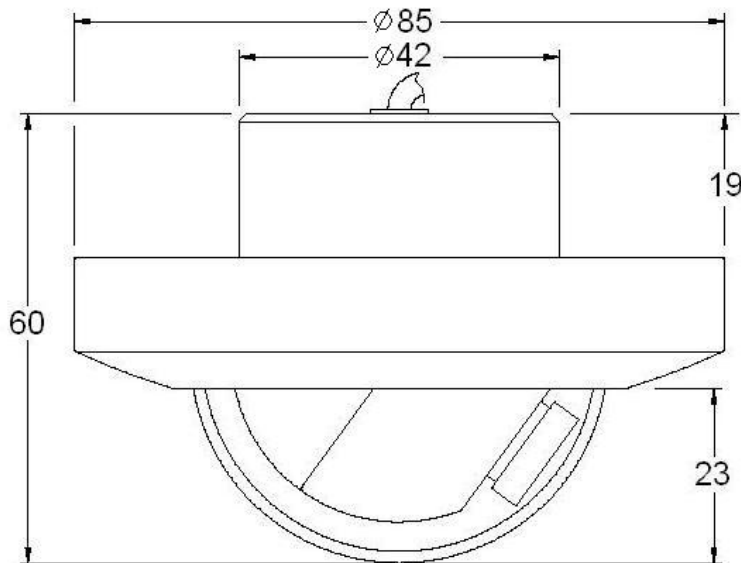
Part Code	D056-AHD-2.5-PC (Black) D056(S)-AHD-2.5-PC (Silver)
Sensor	1/3" AHD CMOS Digital Sensor
Picture Elements	1280(H) x 960(V)
Effective Pixels	1.3M pixels
Wide Dynamic Range	~ 85db
Infrared Spectrum	IR-Cut Filter
S/N Ratio	More than 50db, (AGC OFF)
Lens	f2.5mm Fixed Megapixel Lens / 3.6mm option
Video Output	1 V p-p, Composite , 4 Way Din Aviation Connector
Electrical	
Power Consumption	60mA
Connection Type	4 Pin DIN Aviation Connector with 500mm lead
Voltage	12V DC ± 10%
Environmental	
Operational Temperature Range	-10°C ~ +50°C 85%RH
Weatherproof	IP67 / Polycarbonate
Mechanical	
Pan & Tilt Adjustment	Eye Ball
Dimensions	85(L) x 60 (H)
Net Weight	115g
Certifications	
CE, IP67	

Electrical





Mechanical (near actual size)



Associated Parts

Part Code	Description
D056/D057-SMA(S)-PC	Silver Poly-Carb wedge for use with above
D056/D057-SMA-PC	Black Poly-Carb wedge for use with above