

High Resolution 760H Multi-Purpose CMOS Colour / Mono Wedge Camera

- Can be mounted on the top, sides and underneath of a vehicle body
- IP67 Rugged Cast Aluminium enclosure to withstand harsh environments
- Hi resolution & wide angle lens
- Reverse Image Trigger
- Discreet, tamper-resistant fixings
- Wide Voltage Range 6 ~ 30v DC Operation
- Extremely Low Power Consumption
- 2 x 15° Angled mounting wedges included



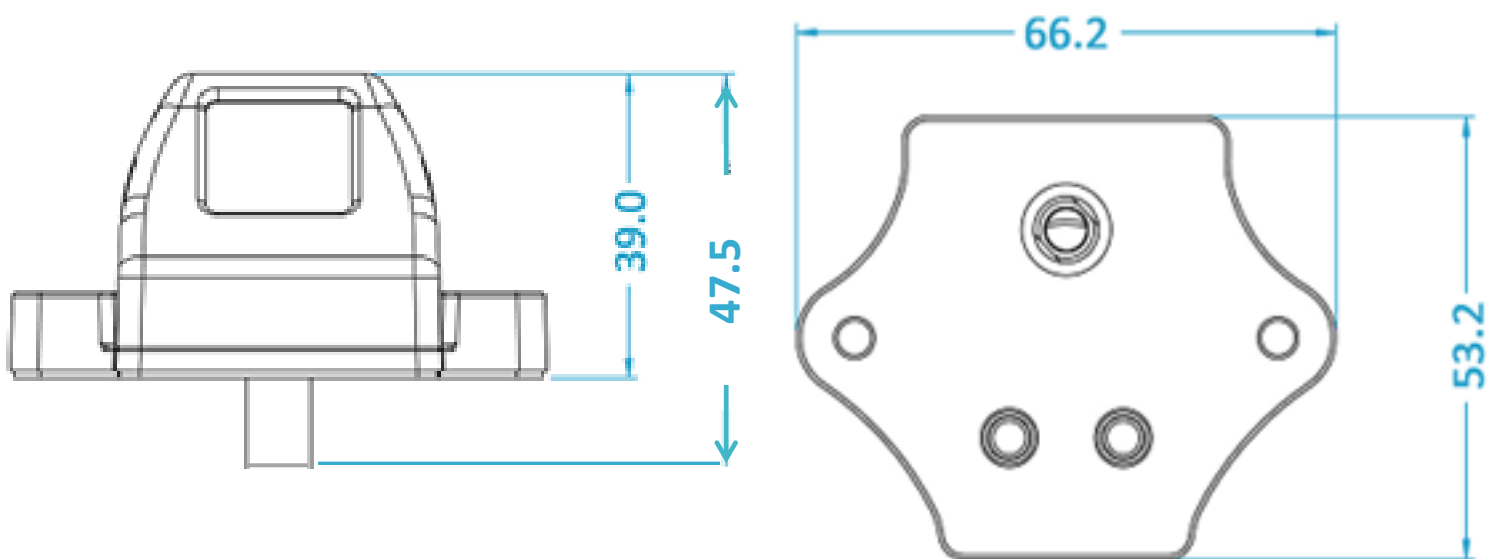
Specification

Part Code	MP2 T / B / R / L	MP2/Top/Bottom/R-Side/L-Side
Sensor		1/3" CMOS
Lens & Resolution		2.5mm 550(H) x 420(V) TVL 760H
Field Of View (FOV)		107°(H) x 81°(V)
S/N Ratio		50dB or more(AGC off)
Minimum Illumination / Sensitivity		0.16 Lux Colour / 0.05 Lux Monochrome
Shutter Speed		1/60s ~ 1/100,000s
System Sync		Internal
2D DNR		On
Electrical		
Current Consumption		55mA
Voltage Range		6DC ~ 30DC
Power Consumption		Max 0.6W / Max 55mA(@12VDC)
Connections		BNC Video Connection & DC Flying Lead (500mm)
Environmental		
IP rating		IP67
Operational Temperature Range		-30°C ~ +70°C
Relative Humidity		<90% Non-Condensing
Mechanical		
Material		Die Cast Aluminium
Dimensions		66mm(W) x 39mm (H) x 53mm (D)
Net Weight		105g
Certifications		
CE		✓

Typical Mounting Options

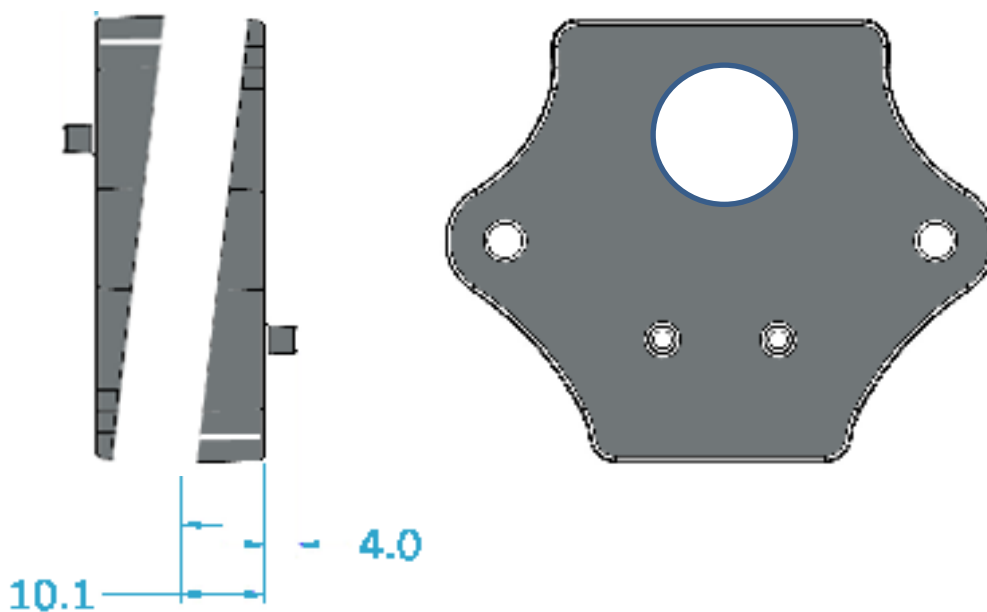


Mechanical (Near actual size)



Angled Wedges

(Lean in or out)



15°Lean out Example

15°Lean in Example

Electrical Connections

500mm cable terminated BNC and flying lead and reverse trigger cut loop

