

## High Resolution Multi-Purpose CMOS Colour / Mono Micro Wedge Camera

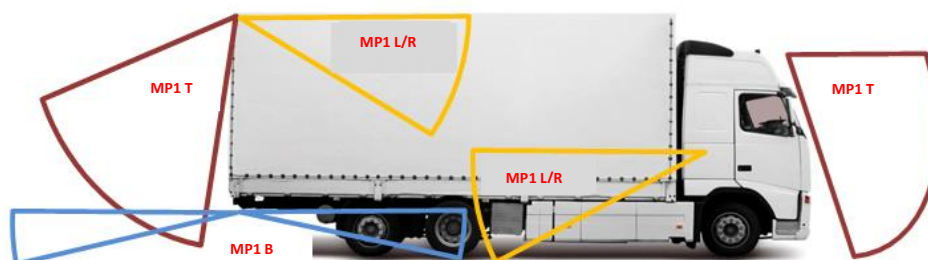
- Can be mounted on the top, sides and underneath of a vehicle body
- IP66 Rugged Cast Aluminium enclosure to withstand harsh environments
- Hi resolution & wide angle lens 160°
- Discreet, tamper-resistant fixing
- Wide Voltage Range 5 ~ 20v DC Operation
- Extremely Low Power Consumption



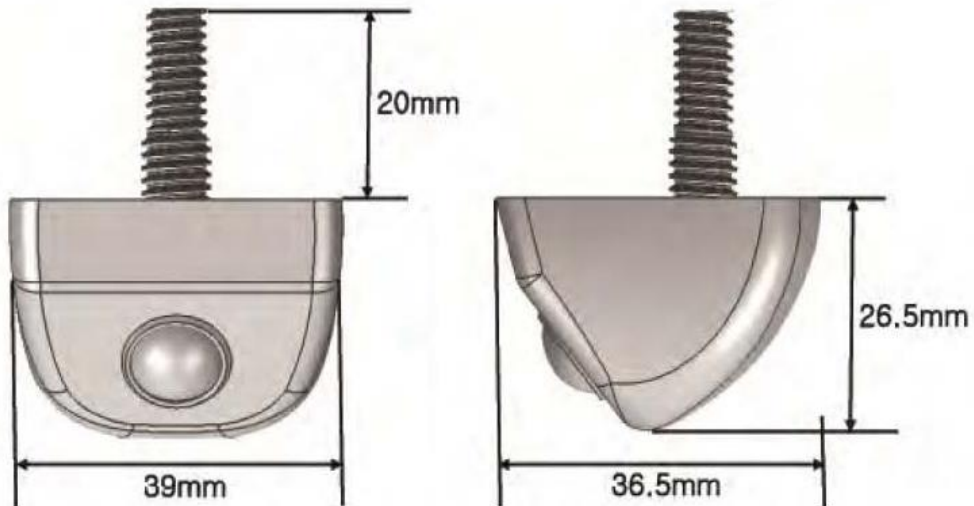
### Specification

<b>Part Code</b>	<b>MP1 T / B / R / L</b>	<b>MP1/Top/Bottom/R-Side/L-Side</b>
<b>Sensor</b>		<b>1/3" CMOS</b>
<b>Lens &amp; Resolution</b>		<b>2.1mm 560 TVL</b>
<b>Field Of View (FOV)</b>		<b>120°(H) x 90°(V)</b>
<b>S/N Ratio</b>		<b>48dB or more(AGC off)</b>
<b>Minimum Illumination</b>		<b>0.3 Lux</b>
<b>System Sync</b>		<b>Internal</b>
<b>Electrical</b>		
<b>Current Consumption</b>		<b>40mA(Max)</b>
<b>Voltage</b>		<b>12VDC(5v ~ 20v)</b>
<b>Power Consumption</b>		<b>Max 0.5W / Max 40mA(@12VDC)</b>
<b>Connections</b>		<b>Video &amp; DC Flying Lead (300mm)</b>
<b>Environmental</b>		
<b>IP rating</b>		<b>IP66</b>
<b>Operational Temperature Range</b>		<b>-30°C ~ +70°C</b>
<b>Mechanical</b>		
<b>Material</b>		<b>Die Cast Aluminium</b>
<b>Dimensions</b>		<b>34.2mm(W) x 26mm (H) x 28mm (D)</b>
<b>Net Weight</b>		<b>95g</b>
<b>Certifications</b>		
<b>CE</b>		✓

### Typical Mounting Options



## Mechanical



## Electrical Connections

300mm cable un-terminated flying lead

