

CMOS Colour Micro Cube Camera

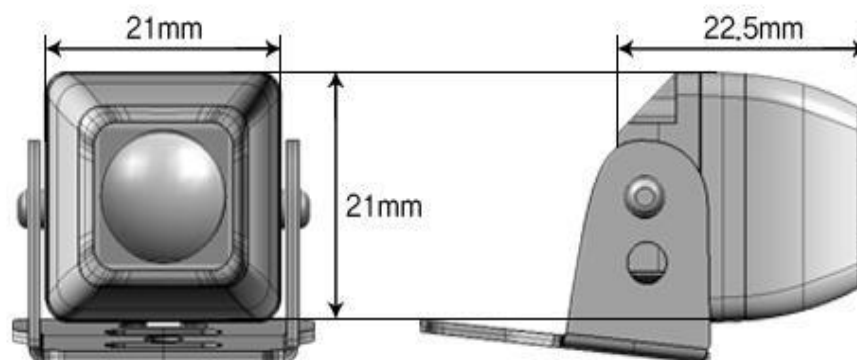
- High quality Colour Camera 560tvl
- 145° wide Viewing Angle
- Low Illumination
- Aluminium Die-cast Housing
- Small & Compact



Specification

Part Code MCC-1	
Sensor	1/3 "CMOS image sensor
Pixels	Total Pixels: 355K(762 x 504)
Dynamic Range	55.1dB
Resolution	Max 560TVL
Video Out	1.0V p-p Composite,75ohm
Lens	145°(D)x(114°(h) x 84°(v)
Min Illumination	0.3 Lux
S/N Ratio	>48dB
Electrical	
Power Consumption	40mA
Voltage	12Vdc (5VDC ~ 24VDC)
Environmental	
Operational Temperature Range	-20°C ~ +70°C 85%RH
Mechanical	
Material	Aluminium Die-Cast Housing
Dimensions	21mm(D) x 21mm (H) x 22.5mm (H)
Cable length	5Mtr
Net Weight	40g
Certifications	
CE	✓

Mechanical



Power via a DC jack

Video via a Female BNC

