

2.0M HD IP Dome Camera

- 2MP 1920 x 1080p Full High Definition Image
- Three independent streams (3x H.264 and or MPEG-4,MJPEG)+RTSP
- IP67 for superior environmental protection
- 2nd Generation Super Micro H2IR SMART IR LEDs (Switchable)
- Full 3 Axis Gimbal
- Micro SD card recording (Edge Recording)
- Scheduled recording modes
- ONVIF Profile S Compatible



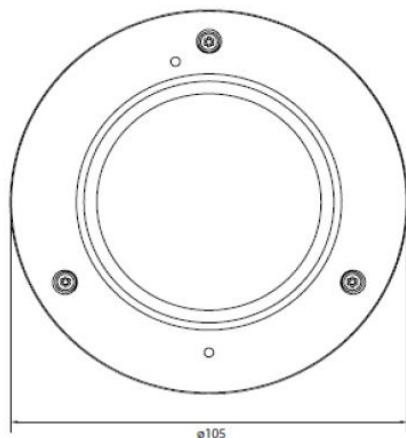
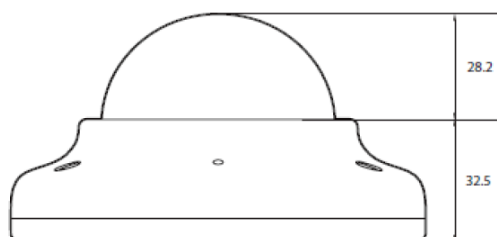
Specification

Part Code VRD105-HD-IP-2.0	Camera
Sensor	1/2.7" 2.0M CMOS
Pixels	1928(H) X 1088(V)
Lens	Fixed 4.0mm, P-IRIS
Field Angle (FOV)	87°(H) 46°(V)
Min Illumination	0.08Lux, 0 Lux with IR
IR LEDs	Smart IR Switchable H2IR 720nm
Shutter Speed	Auto / Manual (1/30 ~ 1/32000), Anti-Flicker, Slow Shutter(1~1/5,1/7.5, 1/15)
Dynamic Range	74.7dB HDR, True WDR
S/N Ratio	50dB (Auto AGC)
ICR Filter	TDN (True Day & Night) ICR
Digital Noise Reduction	3D-DNR
Privacy Mask Support	4 Programmable Zone
Image Processing	BLC (On / Off / HSBLC),Configurable Exposure, White Balance, Sharpness
Encoder (Video & Audio)	
Video Compression	H.264, MJPEG BP / MP / HP
Multiple Profile Streaming Performance	(1080p 30ips + 720p 30ips + 480p 30ips) (1080p 30ips + 480p 30ips + CIF 30ips) (1080p 1 MJPEG + 1-pass lens correction)
Video Bit Rate	100Kbps ~10Mbps, Multi-rate for Preview and Recording
Bitrate Control	Smart LBR, Multi Streaming CBR/VBR at H.264
Audio	Option
Edge Storage (SD Card)	Micro SD / SDHC / SDXC (Not Supplied)
Crop Streams (ROI)	3 Regions of Interest (ROI)
Alarm I/O & Event	
Event Trigger	Motion / Alarm / Scheduled
Pre-Post Recording	Pre: 1~5 sec. / Post: 1~240 sec.
Event Notification	FTP, e-mail, SD card

Specification Contd.

Security & Network	
Network Protocols	IPv4/IPv6:ONVIF, TCP/IP, UDP/IP, RTP(UDP/TCP),RTSP,NTP, HTTP,HTTPS, SSL, DNS, DDNS, DHCP, FTP, SMTP,SNMPv1/v2c/v3(MIB-2)
Security	HTTPS(SSL),Digest Authentication(ID/PW)
Plug In's	CGI API
Electrical	
Power	DC DC12V POE IEEE 802.3af (Adaptor not included)
Environmental	
Operational Temperature Range	-10°C- 50°C 10-90% RH (non-condensing)
IP Rating	IP67
Mechanical	
Dimensions	Ø105 x 60.7 mm
Cable length/Type	500mm RG45 & 2.1mm DC Jack (Pig Tail)
Net Weight	0.35kg
Certifications	
CE	✓
IP67	✓
ROHS	✓
FCC	✓

Mechanical

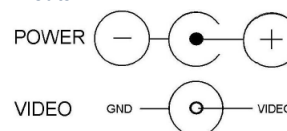


Connections

2.1mm DC Jack and PoE RJ45



2.1mm DC Jack Pinouts



RJ45 Pinouts

