

Compact, Discreet IR MicroDome
with IP67 rating

- Sony® Super HAD II Colour/Mono CCD
- IR LED illumination to 5M*
- Aluminium Housing finished in Silver
- Easy installation on Ceiling or Wall
- 72°/360° coverage
- Flush mounted, Low Profile
- Vandal-Resistant
- VCA 'E' mark Certification **(E11)10R-055265**

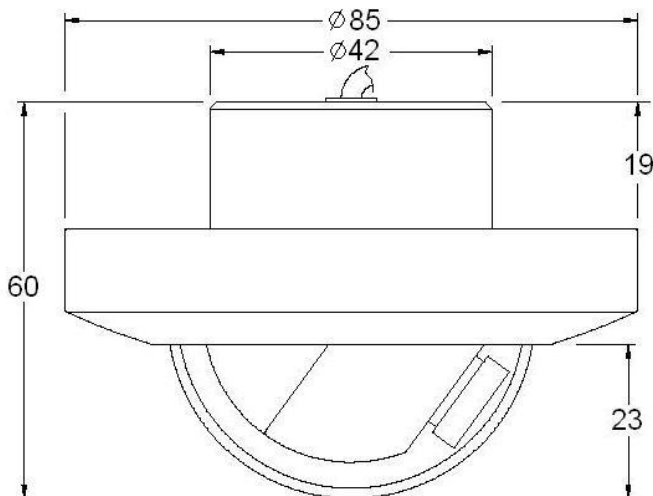


* For critical viewing applications additional lighting may be required

Sensor	Sony® Interline CCD	<p>Connections</p> <p>Power Power to the camera is supplied via the inline 12vDC mini-jack</p> <p>Video The video output lead is fitted with a BNC connector.</p> <p>A cable grommet is fitted for optional use when surface mounting. It requires a 13.5mm hole. The grommet can be cut off when not required</p>
Exposure Control	Electronic	
Voltage	12vDC ±10%	
AGC	Auto	
Video signal	Composite into 75Ω	
Operating temp.	-10 °C to +50 °C	
Relative humidity	85% max. non-condensing	
Housing	IP67 (Internal and external use)	
Weight . (approx)	Camera ~ 196g SMA ~ 75g	

Mode	Sensor	Res.	Sensitivity	Power	Features	IR freq.	ORDER CODES
Colour/ Mono	1/3" Sony® Super HAD II CCD	650 TVL	0.00 Lux at F1.2 (LEDs on)	150mA (LEDs on)	Black finish	850nm	D057-650
						940nm	D057-650-COV**
					Silver finish	850nm	D057-650(S)
						940nm	D057-650(S)-COV**
Angled adaptor for surface mounting w/additional 14.5° tilt							D056/D057-SMA D056/D057-SMA(S)
Allow adequate power capacity for surges on start up and on IRLED switching						Recommended minimum 250mA	

** -COV models are subject to reduced sensitivity and IR



Angled mounting adaptor - **D056/D057-SMA(S)**
Avoids need for large aperture in mounting surface and adds 14.5° extra tilt. Please see over for dimensions

LENS
Std fixed lens is 3.6mm.

Lens options are available -- please contact Sales Office for details.



Specification

Pick-up device	1/3" Sony® Super HAD II CCD
Resolution	650TVL
Sensitivity	0.00 lux @ F1.2 (LEDs on)
Weather- proofing	IP67
Picture elements	500H x 520V / 752H x 582V
Exposure control	Electronic
TV system	PAL
Auto gain control (AGC)	Auto
White balance	Auto
Electronic shutter	Auto
Backlight compensation (BLC)	Auto
Video output	1v p~p 75Ω composite
S/N ratio	> 50dB (AGC off)
Gamma ratio	0.45
IR LED	10 x Ø5mm ~ 850nm/940nm
IR range	Max. approx. 5M
Lens mount	M12 x P 0.5mm thread
Pan adjustment	±180°
Tilt adjustment	0~55°
Voltage	12vDC ±10%
Power consumption	Max. 80/150mA - LEDs Off/On
Operating temperature	-10°C - +50°C
Relative humidity	85% non-condensing
Net weight	261g (inc. -SMA)

Installation instructions

- Unscrew the top cover **(3)**.
- Attach the mounting base **(4)** to the wall or ceiling. Locate a wall stud or ceiling joint and secure the base using the screws provided. The screws shown **(5)** are for attaching camera to mounting adaptor. Standard screws and plugs are supplied for mounting direct to ceiling/wall.
- Connect BNC video jack to the monitor and connect DC power jack to 12vDC power source.
- When picture shows on the monitor, loosen the knurled ring **(6)** for setting view (and focus-locking screw **(7)** if re-focussing is required). Adjust the camera view by moving the ball **(8)**.
- Fix the ball in position by re-tightening the knurled ring (clockwise).
- Use the supplied Torx® key **(1)** and tamper screw **(2)** to lock the top cover.

