
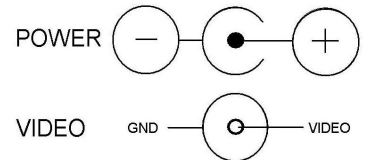


Compact, Discreet Microdome

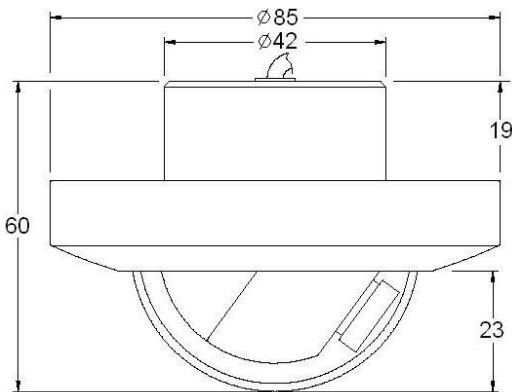
- CMOS 650TVL Colour sensor
- Lightweight Polycarbonate Housing finished in Black or Silver
- Reverse Trigger Cut Loop
- Full 90°/360° coverage
- Flush mounted, Low Profile
- Vandal-Resistant
- VCA 'e'-mark certification:  10R-58548



Sensor	CMOS Sensor	Connections Power to the camera is supplied via the inline DC jack The video output lead is fitted with a BNC connector A cable grommet is fitted for optional use when surface mounting. Drill a 13.5mm hole. The grommet can be cut off when not required
Exposure Control	Electronic	
Voltage	12vDC ±10%	
AGC	Auto	
Video Signal	Composite into 75Ω	
Operating Temp.	-10 °C to +50 °C	
Relative Humidity	85% Max. non-condensing	
Housing	Internal and external use	
Weight g. (approx)	Camera ~ 115g SMA ~ 45g	



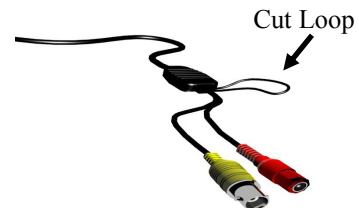
Mode	Sensor	Res.	Sensitivity	Power	Features	ORDER CODES
Colour	CMOS	650 TVL	0.01 Lux at F1.2	< 35mA	Finish is Silver	D056C650-DPE(S)-PC-RT-RV2
					Finish is Black	D056C650-DPE-PC-RT-RV2
Angled adaptor for surface mounting w/additional 15° tilt						D056/D057-SMA-PC D056/D057-SMA(S)-PC




Angled mounting adaptor - **D056/D057-SMA(S)-PC**

Avoids need for large aperture in mounting surface and adds 15° extra tilt.

LENS
Std fixed lens is 3.6mm. Lens options are available --please contact Sales Office for details.



Specification

Pick-up device	1/3" Colour CMOS Sensor
Resolution	650TVL
Sensitivity	0.01 lux @ F1.2
Weather- proofing	IP67
Picture elements	768H x 576V
Exposure control	Electronic
TV system	PAL
Auto gain control (AGC)	Auto
White balance	Auto
Electronic shutter	Auto
Backlight compensation (BLC)	Auto
Video output	1v p~p 75Ω composite
S/N ratio	> 52dB (AGC off)
Gamma ratio	0.45
Lens	Standard f3.6mm
Lens mount	M12 x P 0.5mm thread
Pan adjustment	±180°
Tilt adjustment	0~55°
Voltage	12vDC ±10%
Power consumption	35mA
Operating temperature	-10°C - +50°C
Relative humidity	85% non-condensing
Net weight	115g
VCA 'E'-mark certification	 10R-058548

Installation instructions

- Unscrew the top cover (3).
- Attach the mounting base (4) to the wall or ceiling. Locate a wall stud or ceiling joint and secure the base using the screws provided. The screws shown (5) are for attaching camera to mounting adaptor. Standard screws and plugs are supplied for mounting direct to ceiling/wall.
- Connect BNC video jack to the monitor and connect DC power jack to 12vDC power source.
- When picture shows on the monitor, loosen the knurled ring (6) for setting view (and focus-locking screw (7) if re-focussing is required). Adjust the camera view by moving the ball (8).
- Fix the ball in position by re-tightening the knurled ring (clockwise).
- Use the supplied Torx® key (1) and tamper screw (2) to lock the top cover.

