


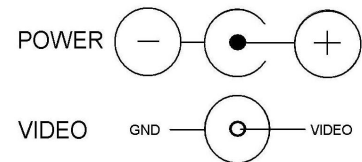
Compact, Discreet Microdome with IP67 rating

- Sony® Super HAD II Colour CCD
- Aluminium housing finished in black or silver
- Easy installation on ceiling or wall
- Full 90°/360° coverage
- Flush mounted, low profile
- Vandal-resistant
- VCA 'E'-mark certification :  10R-045265

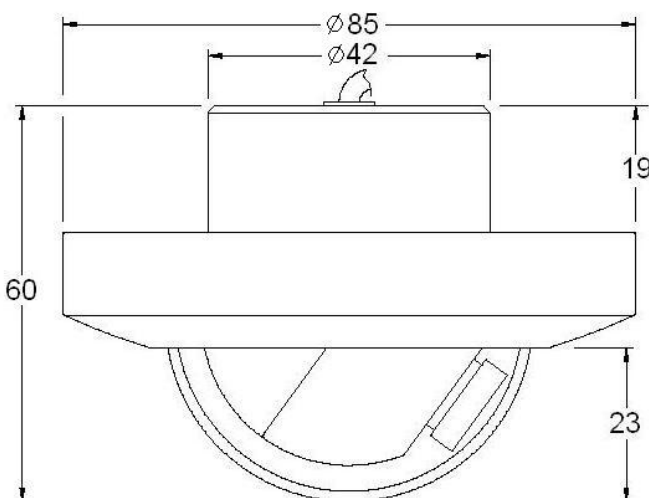


Model shown: D056CXXX(S)

Sensor	Sony® Super HAD II CCD	Connections
Exposure Control	Electronic	
Voltage	12vDC ±10%	Power to the camera is supplied via the inline DC jack
AGC	Auto	
Video signal	Composite into 75Ω	The video output lead is fitted with a BNC connector
Operating temp.	-10 °C to +50 °C	
Relative Humidity	85% Max. non-condensing	A cable grommet is fitted for optional use when surface mounting. Drill a 13.5mm hole. The grommet can be cut off when not required
Housing	Internal and external use	
Weight g. (approx)	Camera ~ 195g SMA ~ 75g	



Mode	Sensor	Res.	Sensitivity	Power	Features	ORDER CODES
Colour	1/3" Sony® Super HAD II CCD	500 TVL	0.05 Lux at F1.2	< 80mA	D056CXXX has Black powder-coat finish	D056C500 / D056C500(S)
Colour		650 TVL	0.05 Lux at F1.2	< 80mA	D056CXXX(S) has Silver powder-coat finish	D056C650 / D056C650(S)
Angled adaptor for surface mounting w/additional 12° tilt						D056/D057-SMA D056/D057-SMA(S)



Angled mounting adaptor - **D056/D057-SMA(S)**

Avoids need for large aperture in mounting surface and adds 12° extra tilt.

LENS
Std fixed lens is 3.6mm.

Lens options are available -- please contact Sales Office for details.



Specification

Pick-up device	1/3" Sony® Super HAD II CCD
Resolution	500TVL / 650TVL
Sensitivity	0.05 lux @ F1.2
Weather- proofing	IP67
Picture elements	500H x 520V / 752H x 582V
Exposure control	Electronic
TV system	PAL
Auto gain control (AGC)	Auto
White balance	Auto
Electronic shutter	Auto
Backlight compensation (BLC)	Auto
Video output	1v p~p 75Ω composite
S/N ratio	> 50dB (AGC off)
Gamma ratio	0.45
Lens mount	M12 x P 0.5mm thread
Pan adjustment	±180°
Tilt adjustment	0~55°
Voltage	12vDC ±10%
Power consumption	< 80mA
Operating temperature	-10°C - +50°C
Relative humidity	85% non-condensing
Net weight	260g (inc. -SMA)
VCA approval	ⓔ11 10R-045265

Installation instructions

- Unscrew the top cover (3).
- Attach the mounting base (4) to the wall or ceiling. Locate a wall stud or ceiling joint and secure the base using the screws provided. The screws shown (5) are for attaching camera to mounting adaptor. Standard screws and plugs are supplied for mounting direct to ceiling/wall.
- Connect BNC video jack to the monitor and connect DC power jack to 12vDC power source.
- When picture shows on the monitor, loosen the knurled ring (6) for setting view (and focus-locking screw (7) if re-focussing is required). Adjust the camera view by moving the ball (8).
- Fix the ball in position by re-tightening the knurled ring (clockwise).
- Use the supplied Torx® key (1) and tamper screw (2) to lock the top cover.

