

High Resolution 760H Vandal-Resistant Micro Eyeball Camera

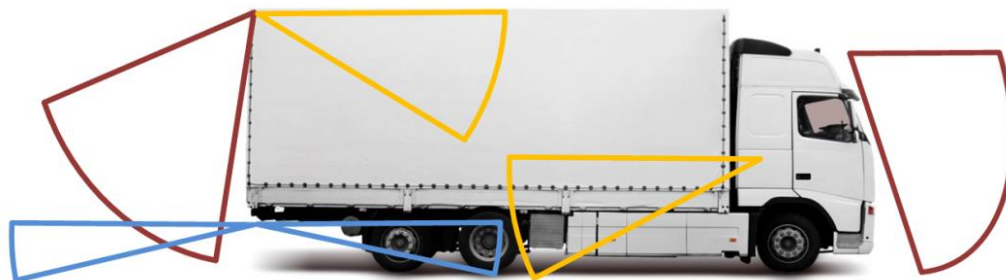
- High Resolution 550TVL 720H Technology
- Versatile Micro Eyeball Body
- Full 3-Axis Camera Adjustment
- IP 67 Rugged Cast Aluminium enclosure to withstand harsh environments
- Hi resolution wide angle lenses (2.9mm or 3.6mm)
- 10 x 940nm Covert IR LEDs
- Wide Voltage Range 6 ~ 20v DC Operation
- Ground Isolated Video with Reverse Image Trigger
- Stainless Steel tamperproof locking screws



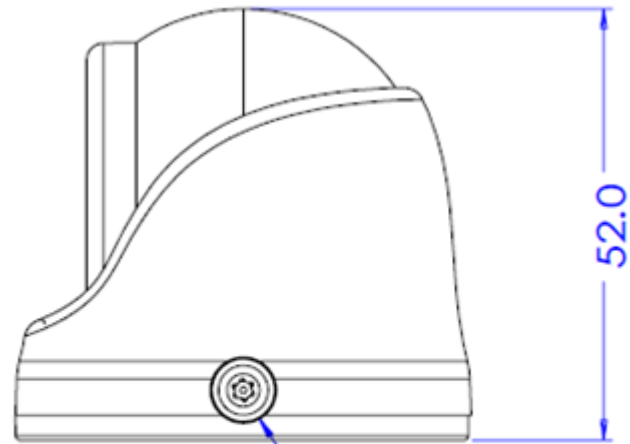
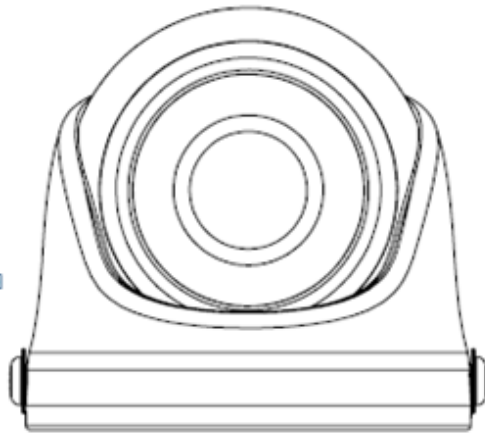
Specification

Part Code	
VRD55-2.9 Lens & Resolution	2.9mm 550(H) x 420(V) TVL 760H
VRD55-3.6 Lens & Resolution	3.6mm 550(H) x 420(V) TVL 760H
Sensor	1/3"CMOS
Field Of View (FOV)	2.9mm =80°(H) x 64°(V) / 3.6mm =67°(H) x 53°(V)
S/N Ratio	50dB or more(AGC off)
Minimum Illumination / Sensitivity	0.16 Lux Colour / 0.05 Lux Monochrome
IR Performance	10 x 940nm Covert IR LEDs
Shutter Speed	1/60s ~ 1/100,000s
System Sync	Internal
2D DNR	On
Electrical	
Voltage	12VDC(6v ~ 20v)
Power Consumption	Max 0.6W / 55mA(@12Vdc)-112mA(IR On)
Connections	BNC Video Connection & 2.1mm DC Flying Lead (500mm)
Environmental	
IP rating	IP67
Operational Temperature Range	-30°C ~ +70°C
Relative Humidity	<90% Non-Condensing
Mechanical	
Material	Die Cast Aluminium
Dimensions	52(H) X Ø 55mm (base)
Net Weight	120g
Certifications	
CE	✓

Typical Mounting Options

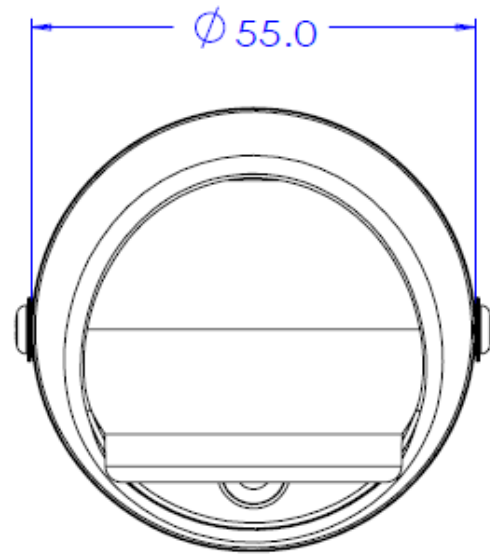
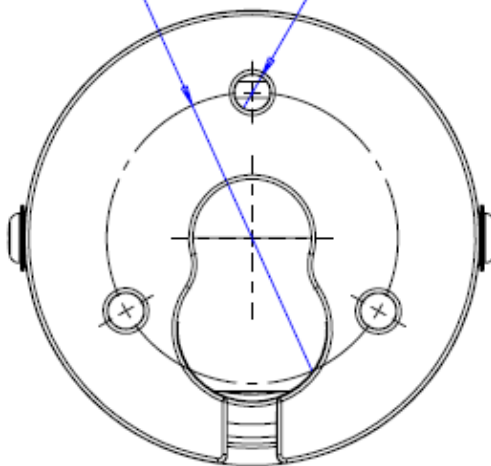


Mechanical (near actual size)



TORX-20

P.C.D \varnothing 35.2 3- \varnothing 4.5 Hole



Electrical Connections

500mm cable terminated BNC and flying lead and reverse trigger cut loop

