

CMOS 650TVL Micro-Dome

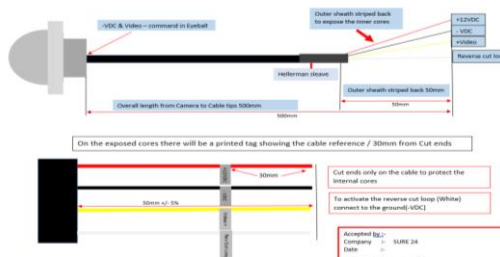
- STD 3.6mm Lens (other lens sizes available)
- 10 x Smart LEDs with ICR Filter 850Nm or 940Nm
- IP67 Weatherproofing
- Reverse image cut loop.
- VCA E11*10R05/01-11623*00
- R118 E11 118R03/00*1310*00
- CE & UKCA
- Lightweight ABS Available in STD Silver or Black
- Plug and play Connections.



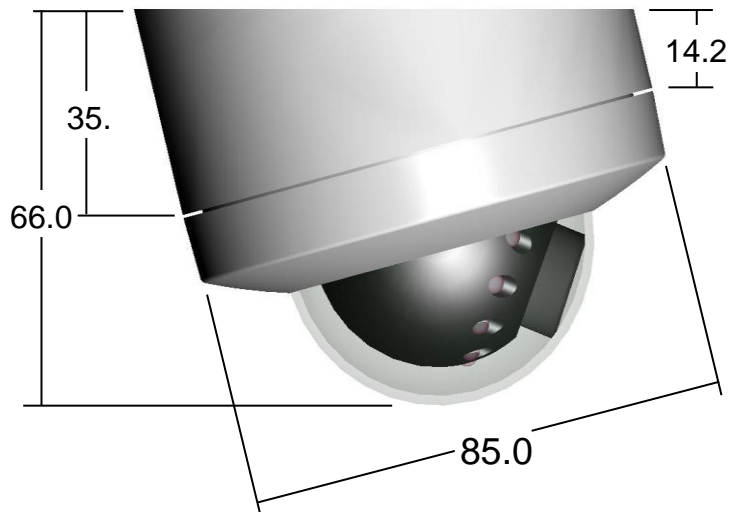
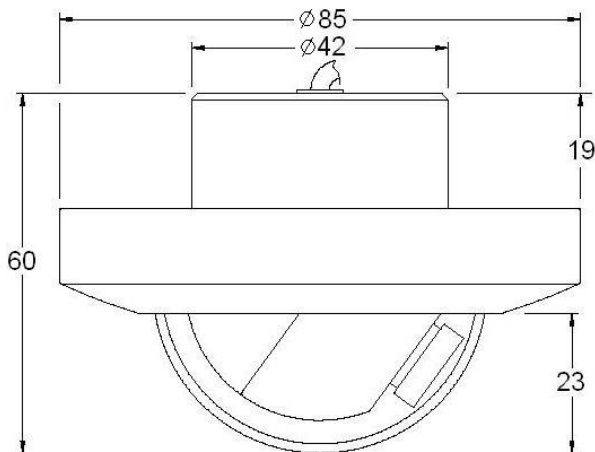
Specification

Order Codes for the D057XXXXRANGE	See the rear side of this Data Sheet
Sensor	1/3" colour CMOS Sensor PC3089
Picture Elements	756H X 504V
Resolution	650TVL
Infrared Spectrum	10 x 850Nm / 940NM Smart IR
Sensitivity	0.01lux@F1.2
S/N Ratio	More than 50db, (AGC OFF)
Mirror Image/Reverse Trigger	Via Cut Loop
Lens	STD 3.6mm (other lens sizes are available)
Video Output	1 V p-p'75Ω Composite, BNC
Electrical	
Power Consumption	35mA
Connection Type	Plug AND Play (BNC & Jack Plug) or Cut cabled
Voltage	12Vdc ± 10%
Environmental	
Operational Temperature Range	-10°C ~ +50°C 85%RH
Weatherproof	IP67 / ABS
Mechanical	
Pan & Tilt Adjustment	Eye Ball
Dimensions	85(L) x 60 (H)
Net Weight	115g
Certifications	
CE/UKCA IP67/VCA E9/E11/R118	

Electrical



Mechanical



Angled mounting adaptor -
D056/57 SMAS / SMAB
Avoids need for large aperture in mounting
surface and adds 14.5° extra tilt.

Various Available models under the D057XXXXRANGE

D056 XXXRANGE Order Codes	D056XXXXRANGE Product Descriptions
D056/57SMAS	Silver Surface mount wedge for use with D056XXXXRANGE
D056/57SMAB	Black Surface mount wedge for use with Black ABS D056XXXXRANGE
D056/57B XXXXXX	This will indicate that the product is black ABS
.01	BNC and power Jack (plug and play)
.02	Stripped cable ends
D057.01 or.02	Micro-dome IR 650TVL 850Nm 3.6mm Silver/ BNC or cut cables / PC3089
D057COV.01 or.02	Micro-dome IR 650TVL 940Nm 3.6mm Silver/ BNC or cut cables / PC3089
D05725.01or.02	Micro-dome IR 650TVL 850Nm 2.5mm Silver/ BNC or cut cables / PC3089
D05725COV.01or.02	Micro-dome IR 650TVL 940Nm 2.5mm Silver/ BNC or cut cables/ PC3089
D05729.01 or .02	Micro-dome IR 650TVL 2.9mm 850Nm Silver /BNC or cut cables / PC3089
D05729COV.01or .02	Micro-dome IR 650TVL 2.9mm 940Nm Silver/ BNC or cut cables / PC3089
D05729RJ45.01	Micro-dome IR 650TVL 2.9mm 850Nm Silver/ RJ45/ PC3089
D05729RJ45COV.01	Micro-dome IR 650TVL 2.9mm 940Nm Silver/ RJ45/ PC3089
D05736RJ45.01	Micro-dome IR 650TVL 3.6mm 850Nm Silver/RJ45/ PC3089
D05736RJ45COV.01	Micro-dome IR 650TVL 3.6mm 940Nm Silver/ RJ45/ PC3089

