

1/3" Analogue WDR Micro-Dome

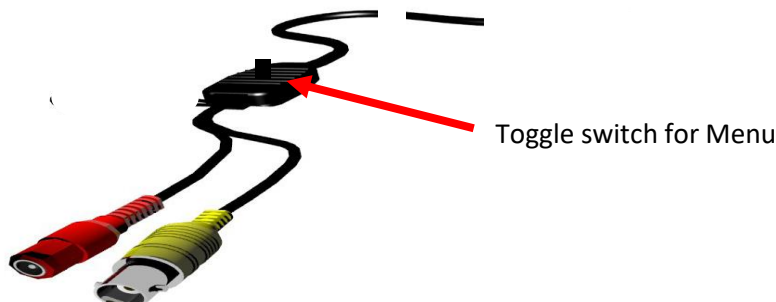
- STD 3.6mm Lens (other lens sizes available)
- IP67 Weatherproofing
- Reverse image cut loop.
- VCA E11*10R05/01-11623*00
- R118 E11 118R03/00*1310*00
- CE & UKCA
- Lightweight ABS - Available in STD Silver or Black
- Plug and play Connections



Specification

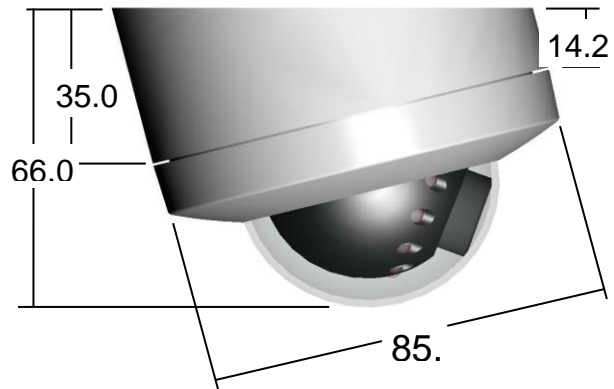
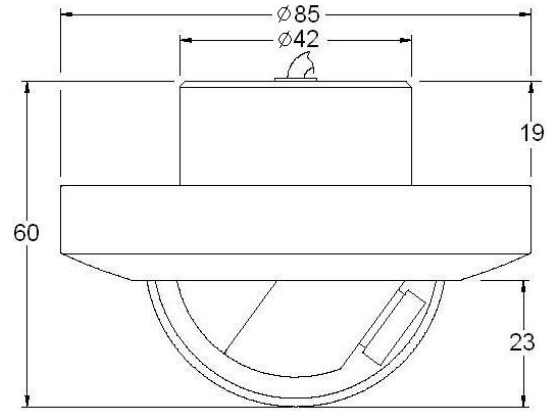
Part Number	D057WDR-Range
Sensor	1/3"WDR CMOS Sensor PX2089
Picture Elements	756(H) x 504(V)
Effective Pixels	650TVL
Sensitivity	0.01Lux@F1.2
Auto Gain Control	High
S/N Ratio	More than 50db, (AGC OFF)
Lens	STD 3.6mm
Video Output	1 Volt P-P on BNC@75Ω
Electrical	
Power Consumption	60mA
Connection Type	Plug & Play - BNC & Power Jack
Voltage	12Vdc ±10%
Environmental	
Operational Temperature Range	-10°C ~ +50°C 85%RH
Weatherproof	IP67
Mechanical	
Pan & Tilt Adjustment	Eye Ball
Dimensions	85(L) x 60 (H)
Net Weight	115g
Certifications	
	CE, IP67 R118

Electrical



Mechanical

Menu Picture		
EXPOSURELENS	LENS	FIX, IRIS
	WDR	LOW, MID, HIGH, OFF
	AGC	LOW, MID, HIGH, OFF
	EXIT JUMP	
COLOUR	WB MODE	AUTO, 2000K-10000K
	EXIT JUMP	
DAY/NIGHT	DAY/NIGHT MODE	AUTO, BW, COLOUR, SMART
	EXIT JUMP	
FUNCTION	BRIGHTNESS	1-10(Square) [Progressive bar]
	COLOUR GAIN	1-10(Square)
	CONTRAST	1-10(Square)
	ZDNR	LEVEL1, LEVEL2, LEVEL3
	MIRROR	NA in Menu(Reverse trigger on Cable loop)
	SHARPNESS	1-10(Square)
SET UP	WHITE LEVEL	1~10(Digital)
	SYNC LEVEL	1~10(Digital)
	PEDESTAL LEVEL	1~10(Digital)
	BURST	1~10(Digital)
	RESET	To factory default
	EXIT JUMP	



Menu Options: -

- 1) Selectable choices through the Toggle switch
- 2) Pre-set settings can be applied to eliminate the toggle

Associated Parts

Part Code	Description
D056/57SMAS	Silver ABS wedge for use with above
D056/57SMAB	Black ABS wedge for use with above
D057WDR36.01	Micro-dome/ 650TVL/3.6mm/ Silver/ BNC& Jack/ PX2089/ RT
D057WDR29.01	Micro-dome/ 650TVL/2.9mm/ Silver/ BNC& Jack/ PX2089/ RT
D057WDR25.01	Micro-dome/ 650TVL/2.5mm/ Silver/ BNC& Jack/ PX2089/ RT
D057WDR36T0.01	Micro-dome/ 650TVL/3.6mm/ Silver/ BNC& Jack/ PX2089/ RT/ Toggle
D057WDR29T0.01	Micro-dome/ 650TVL/2.9mm/ Silver/ BNC& Jack/ PX2089/ RT/ Toggle
D057WDR25T0.01	Micro-dome/ 650TVL/2.5mm/ Silver/ BNC& Jack/ PX2089/ RT/ Toggle
D057WDR3.6IR.01	Micro-dome/ 650TVL/3.6mm/ Silver/ BNC& Jack/ PX2089/ RT/ IR/850Nm
D057WDR2.9IR.01	Micro-dome/ 650TVL/2.9mm/ Silver/ BNC& Jack/ PX2089/ RT/ IR/850Nm
D057WDR25IR.01	Micro-dome/ 650TVL/2.5mm/ Silver/ BNC& Jack/ PX2089/ RT/ IR/850Nm

